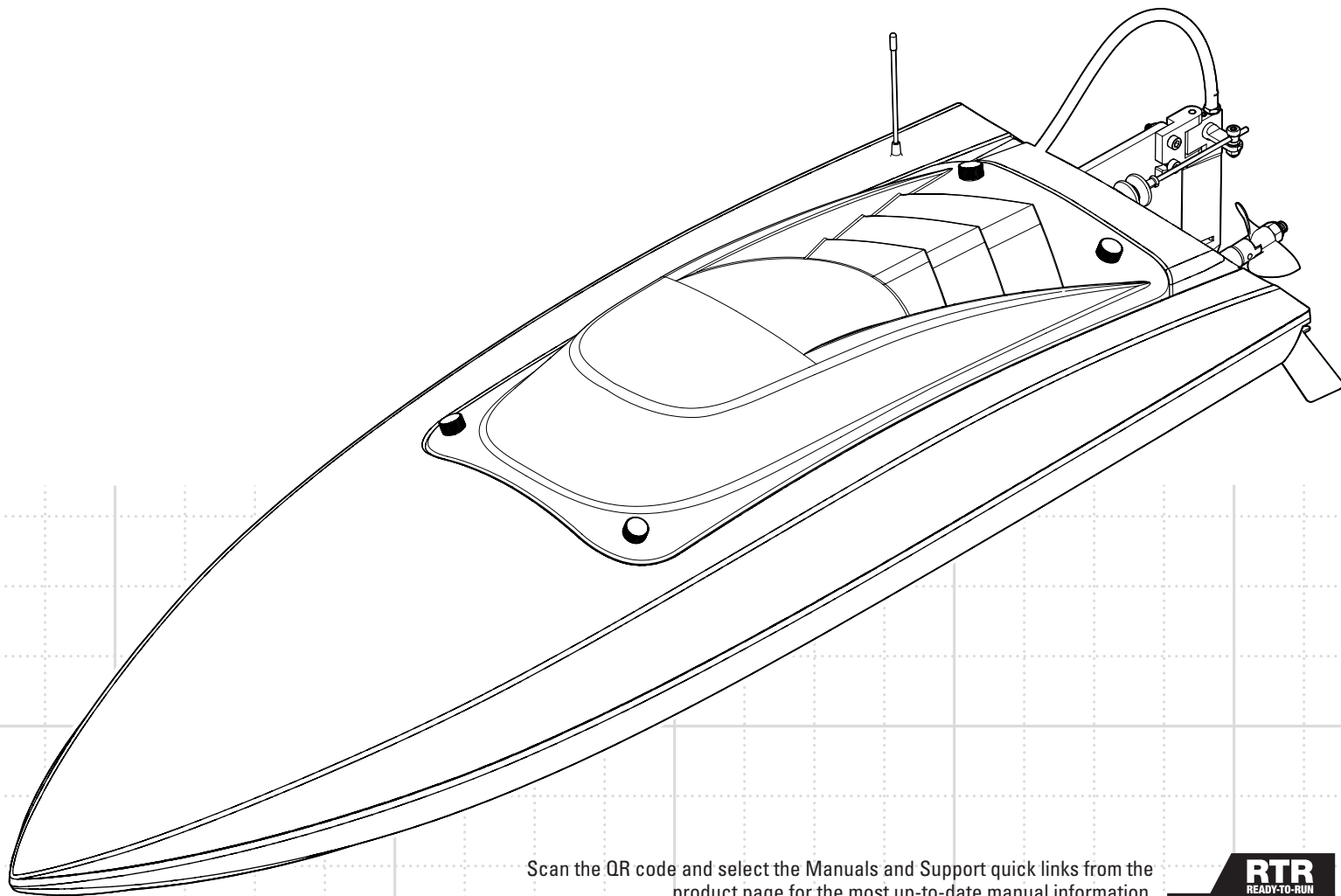




PROBOAT™
ProBoatModels.com

RECOIL2®

26-INCH SELF-RIGHTING DEEP-V BRUSHLESS RTR



Scan the QR code and select the Manuals and Support quick links from the product page for the most up-to-date manual information.
Scannen Sie den QR-Code und wählen Sie auf der Produktseite die Quicklinks Handbücher und Unterstützung, um die aktuellsten Informationen zu Handbücher.
Scannez le code QR et sélectionnez les liens rapides Manuals and Support sur la page du produit pour obtenir les informations les plus récentes sur le manuel.
Scannerizzare il codice QR e selezionare i Link veloci Manuali e Supporto dalla pagina del prodotto per le informazioni manuali più aggiornate.



PRB08041

**Owners Manual • Bedienungsanleitung
Manuel de l'utilisateur • Manuale dell'utente**

HORIZON®
H O B B Y

NOTICE

All instructions, warranties and other collateral documents are subject to change at the sole discretion of Horizon Hobby, LLC. For up-to-date product literature, visit www.horizonhobby.com or www.towerhobbies.com and click on the support or resources tab for this product.

MEANING OF SPECIAL LANGUAGE

The following terms are used throughout the product literature to indicate various levels of potential harm when operating this product:

WARNING: Procedures, which if not properly followed, create the probability of property damage, collateral damage, and serious injury OR create a high probability of superficial injury.

CAUTION: Procedures, which if not properly followed, create the probability of physical property damage AND a possibility of serious injury.

NOTICE: Procedures, which if not properly followed, create a possibility of physical property damage AND little or no possibility of injury.



WARNING: Read the ENTIRE instruction manual to become familiar with the features of the product before operating. Failure to operate the product correctly can result in damage to the product, personal property and cause serious injury.

This is a sophisticated hobby product and NOT a toy. It must be operated with caution and common sense and requires some basic mechanical ability. Failure to operate this Product in a safe and responsible manner could result in injury or damage to the product or other property. This product is not intended for use by children without direct adult supervision. Do not use with incompatible components or alter this product in any way outside of the instructions provided by Horizon Hobby, LLC. This manual contains instructions for safety, operation and maintenance. It is essential to read and follow all the instructions and warnings in the manual, prior to assembly, setup or use, in order to operate correctly and avoid damage or serious injury.

Age Recommendation: Not for children under 14 years. This is not a toy.

Safety Precautions and Warnings

As the user of this product, you are solely responsible for operating in a manner that does not endanger yourself and others or result in damage to the product or the property of others.

- When handling and/or transporting your boat, always pick up the boat from the front, keeping all moving parts pointed away from you.
- Always keep a safe distance in all directions around your model to avoid collisions or injury. This model is controlled by a radio signal subject to interference from many sources outside your control. Interference can cause momentary loss of control.
- Always operate your model in open spaces away from full-size vehicles, traffic and people.

- Always carefully follow the directions and warnings for this and any optional support equipment (chargers, rechargeable battery packs, etc.).
- Always keep all chemicals, small parts and anything electrical out of the reach of children.
- Always avoid water exposure to all equipment not specifically designed and protected for this purpose. Moisture causes damage to unprotected electronics.
- Never place any portion of the model in your mouth as it could cause serious injury or even death.
- Never operate your model with low transmitter batteries.

Water-Resistant Boat with Waterproof Electronics

Your new Horizon Hobby boat has been designed and built with a combination of waterproof and water-resistant components to allow you to operate the product in calm, fresh water conditions.

While the entire boat is highly water-resistant, it is not completely waterproof and your boat should NOT be treated like a submarine. The various electronic components used in the boat, such as the ESC, servo(s) and receiver are waterproof, however, most of the mechanical components are water-resistant and require additional maintenance after use.

Metal parts, including the bearings, pins, screws and nuts, propeller, rudder, rudder mounts, prop struts, as well as the contacts in the electrical cables, will be susceptible to corrosion if additional maintenance is not performed after running in wet conditions. To maximize the long-term performance of your boat and to keep the warranty intact, the procedures described in the **WET CONDITIONS MAINTENANCE** section must be performed regularly.




CAUTION: Failure to exercise caution while using this product and complying with the following precautions could result in product malfunction and/or void the warranty.

General Precautions

- Read the **WET CONDITIONS MAINTENANCE** procedures and make sure that you have all the tools you will need to properly maintain your boat.
- Not all batteries can be used in wet conditions. Consult the battery manufacturer before use. Caution should be taken when using Li-Po batteries in wet conditions.
- Most transmitters are not water-resistant. Consult your transmitter's manual or the manufacturer before operation.
- Never operate your transmitter or boat when lightning is present.
- Salt water is very conductive and highly corrosive. If you choose to run your boat in salt water, immediately rinse the boat in fresh water after each use. Operating your boat in salt water is at the sole discretion of the modeler.

Wet Conditions Maintenance

- Drain any water that has collected in the hull by removing the drain plug or canopy and tilting the boat in the appropriate direction to drain the water.


 **CAUTION:** Always keep hands, fingers, tools and any loose or hanging objects away from rotating parts.

- Remove the battery pack(s) and dry the contacts. If you have an air compressor or a can of compressed air, blow out any water that may be inside the recessed connector housings.
- Remove all moving parts. Dry and lubricate parts after every 30 minutes of operation or if the boat becomes submerged.

NOTICE: Never use a pressure washer to clean your boat.


- Use an air compressor or a can of compressed air to dry the boat and help remove any water that may have gotten into small crevices or corners.
- Spray the bearings, fasteners and other metal parts with a water-displacing light oil or lubricant.
- Let the boat air dry before you store it. Water (and oil) may continue to drip for a few hours.


Charging Warnings

 **WARNING:** Failure to exercise caution while using this product and comply with the following warnings could result in product malfunction, electrical issues, excessive heat, FIRE, and ultimately injury and property damage.

- **NEVER LEAVE CHARGING BATTERIES UNATTENDED.**
- **NEVER CHARGE BATTERIES OVERNIGHT.**
- Never attempt to charge dead, damaged or wet battery packs.
- Never attempt to charge a battery pack containing different types of batteries.
- Never allow children under 14 years of age to charge battery packs.
- Never charge batteries in extremely hot or cold places or place in direct sunlight.
- Never charge a battery if the cable has been pinched or shorted.
- Never connect the charger if the power cable has been pinched or shorted.
- Never attempt to dismantle the charger or use a damaged charger.
- Always use only rechargeable batteries designed for use with this type of charger.
- Always inspect the battery before charging.
- Always keep the battery away from any material that could be affected by heat.
- Always monitor the charging area and have a fire extinguisher available at all times.

- Always end the charging process if the battery becomes hot to the touch or starts to change form (swell) during the charge process.
- Always connect the positive leads (+) and negative leads (-) correctly.
- Always disconnect the battery after charging, and let the charger cool between charges.
- Always charge in a well-ventilated area.
- Always terminate all processes and contact Horizon Hobby if the product malfunctions.
- Charge only rechargeable batteries. Charging non-rechargeable batteries may cause the batteries to burst, resulting in injury to persons and/or damage to property.
- The USB outlet shall be installed near the equipment and shall be easily accessible.

 **CAUTION:** Always ensure the battery you are charging meets the specifications of this charger. Not doing so can result in excessive heat and other related product malfunctions, which can lead to user injury or property damage.

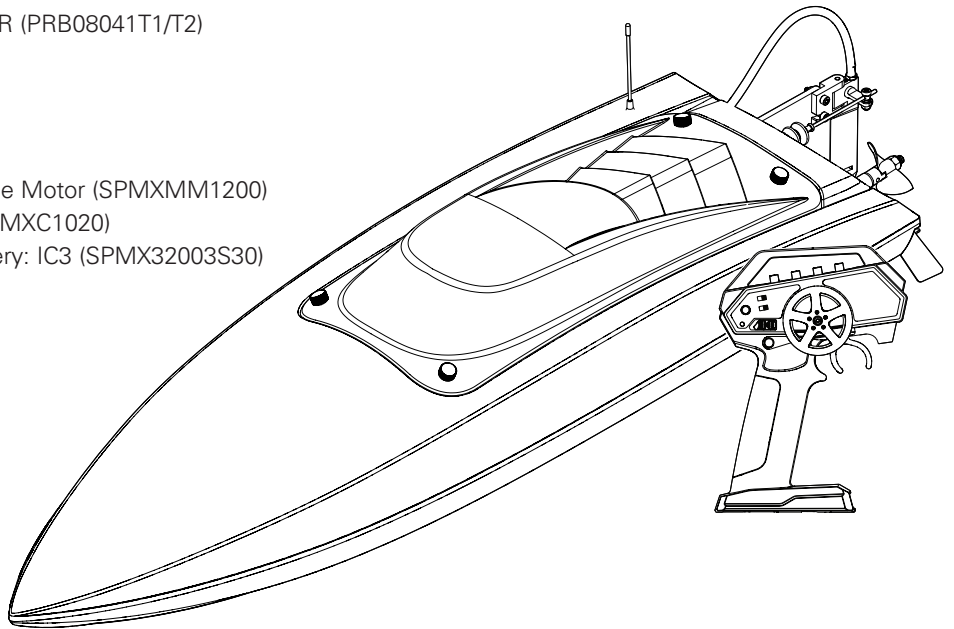
 **CAUTION:** If at any time during the charging process the battery pack becomes hot or begins to puff, disconnect the battery immediately and discontinue the charge process as batteries can cause fire, collateral damage and injuries.

Box Contents

- Pro Boat® Recoil 2® 26-Inch Self-Righting Deep-V RTR (PRB08041T1/T2)
- Spektrum™ 100A Marine ESC (SPMXME1A)
- Horizon 4-Channel Receiver (HRZ00016)
- Servo 5.3kg 4.826V WP Analog (PRB18039)
- Horizon Multi Model LT Transmitter (HRZ00020)
- Spektrum™ Firma 2300Kv Brushless Outrunner Marine Motor (SPMXMM1200)
- Spektrum™ S120 USB-C Smart Charger, 1 x 20W (SPMXC1020)
- Spektrum™ 11.1V 3200mAh 3S 30C Smart LiPo Battery: IC3 (SPMX32003S30)

Recommended Tools and Materials

- Paper towel
- Rubbing alcohol
- Open-end wrench: 10mm (1), 12mm (1)
- Nut driver: 5.5mm, 7mm
- Hex wrench: 2mm, 2.5mm
- Clear tape (DYNAM0102)
- Dynamite® Marine Grease and Gun (DYNE4200)
- Hook and Loop Tape Set, WP 4pcs (DYNK0300)
- Clean towels



Specifications

Length	26 in. (660mm)
Height	5.75 in. (146mm)
Beam	7.96 in. (202mm)
Hull Material	ABS

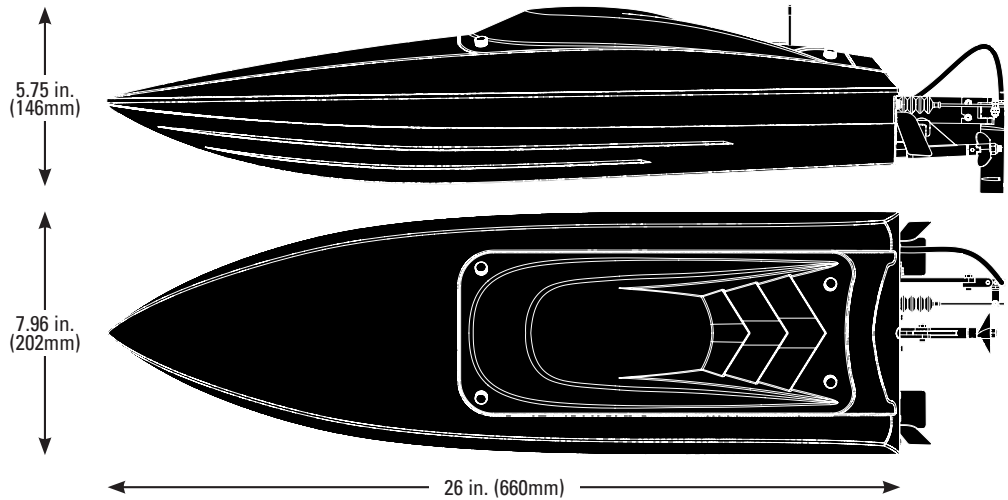
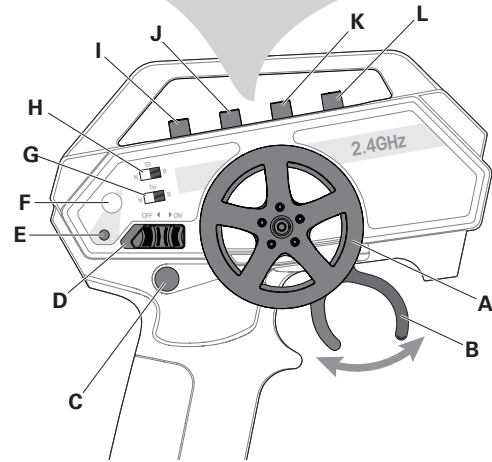
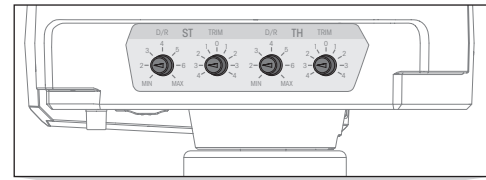


Table of Contents

Safety Precautions and Warnings.....	2	Boating Tips	8
Water-Resistant Boat with Waterproof Electronics	2	Maintenance.....	8
General Precautions	3	Propeller Service	8
Wet Conditions Maintenance.....	3	Water Cooling System.....	9
Charging Warnings	3	Flex Shaft Maintenance	9
Box Contents.....	4	General Information.....	10
Recommended Tools and Materials	4	Binding	10
Specifications	4	Failsafe	10
Transmitter Functions	5	Replacement Parts	10
Antenna Tube Installation.....	5	Optional Parts	10
Battery Pack Installation	6	Troubleshooting Guide.....	11
Low Voltage Cutoff (LVC)	6	2-Year Limited Warranty	12
Range Check	6	Warranty and Service Contact Information	13
Getting Started	7	FCC Information	13
When You Are Finished	7	IC Information.....	13
Self-Righting	7	Compliance Information for the European Union.....	14

Transmitter Functions

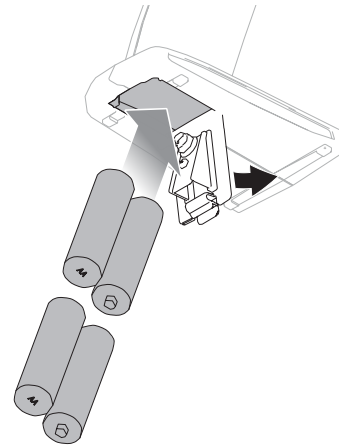
- A. **Steering Wheel** Controls direction (left/right) of the model
- B. **Throttle Trigger** Controls speed and direction (forward/brake/reverse) of the model
- C. **LED** Controls the lights On/Off (if equipped)
- D. **ON/OFF Switch** Turns the power ON/OFF
- E. **Indicator Light**
 - **Solid red lights**—Indicates radio connectivity and adequate battery power
 - **Flashing red lights**—Indicates the battery voltage is critically low. Replace batteries
- F. **CH 3** Activates Self-Righting Feature
- G. **TH Reverse** Reverses the function of the speed control when pulled back or pushed forward
- H. **ST Reverse** Reverses the function of the steering when the wheel is turned left or right
- I. **ST Rate** Adjusts the steering rate switch
- J. **ST Trim** Adjusts the steering center point
- K. **TH Rate** Adjusts the throttle limit switch
- L. **TH Trim** Adjusts the throttle neutral point



Transmitter Battery Installation

This transmitter requires 4 AA batteries (**Not Included**).

1. Remove the battery cover from the transmitter.
2. Install the batteries as shown.
3. Install the battery cover.



CAUTION: Never remove the transmitter batteries while the model is powered ON. Loss of model control, damage, or injury may occur.

CAUTION: If using rechargeable batteries, charge only rechargeable batteries. Charging non-rechargeable batteries may cause the batteries to burst, resulting in injury to persons and/or damage to property.

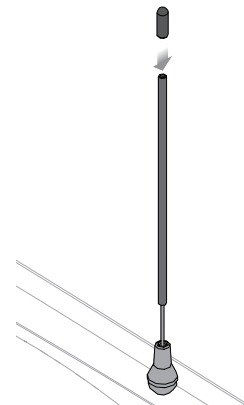
CAUTION: Risk of explosion if battery is replaced by an incorrect type. Dispose of used batteries according to national regulations.

Antenna Tube Installation

Install the receiver antenna in the tube as shown. Do not bend end of antenna over antenna tube and place cap over it. The antenna does not have to be outside of the tube to operate properly.

Keep the end of the antenna above the boat's waterline to get the best transmitter reception. Apply clear tape (DYNM0102), if desired.

NOTICE: Do not cut or kink the receiver antenna or damage may result.



Battery Pack Installation

1. Loosen the 4 canopy screws.
2. Carefully lift the canopy from the hull.
3. Install the battery in the battery tray.
4. Connect the battery to the ESC power connectors.
5. Before placing your boat in the water, secure the canopy on the hull. Apply clear tape (DYNAM0102), if desired.

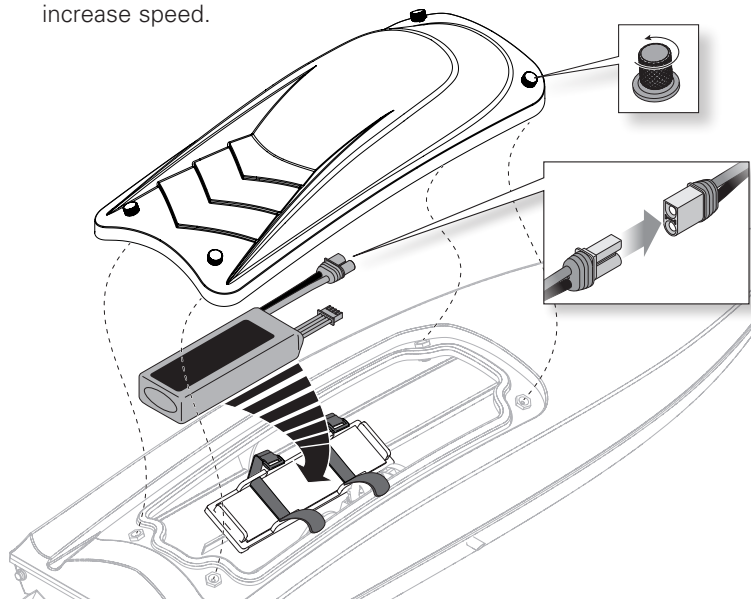
TIP: Place the canopy flat onto the hull and secure the two front screws simultaneously. Then secure the two rear screws simultaneously. This helps prevent cross threading and damage to the thumb-screws and/or threaded inserts.

TIP: Begin with the batteries as far forward as possible, moving them back ½ inch (13mm) at a time toward the stern until the boat reaches maximum speed.

Positioning the Battery Pack

- **Toward the Bow:** In rough water or strong wind conditions, place the battery toward the front of the battery tray to ensure stability.
- **Centered:** In smooth water and calm wind, move the battery rearward in the hull to allow the bow to ride higher and increase speed. Be aware that positioning the battery farther aft increases the likelihood of the boat blowing over at speed or becoming unstable.

- **Toward the Stern:** Positioning the battery toward the back of the battery tray can provide higher top speeds but can cause instability. Experiment with this position only in very calm conditions while closely monitoring the hull's attitude as you increase speed.



Low Voltage Cutoff (LVC)

The factory default setting for the LVC in the ESC included with your boat is set at 3.2V per cell. Discharging a Li-Po battery below 3V per cell may damage your battery. The included ESC protects the boat battery from over-discharge using Low Voltage Cutoff (LVC). Before the battery charge decreases too much, LVC removes power supplied to the motor.

The boat drastically slows or stops completely once LVC is activated. Releasing the throttle and reapplying it will provide a limited amount of power to safely return the boat to shore. Repeated use after LVC is activated will damage the batteries.

Once LVC has been activated, the ESC status light will flash red continuously indicating that the ESC is in LVC mode.

NOTICE: Repeated operation to LVC will damage the battery.

LVC can activate prematurely if you use (1) low C-rated batteries or (2) old, worn, and/or weak batteries.

The average run time—using the recommended batteries (SPMX32003S30)—is between 3–4 minutes at non-stop, open throttle. Limited run time may indicate worn or weak batteries.

TIP: If you've installed freshly charged batteries, and LVC activates within the first minute of operation, replace your worn or weak batteries with the recommended batteries.

TIP: Monitor your boat battery's voltage before and after boating by using a Li-Po Cell Voltage Checker (SPMXBC100, sold separately).

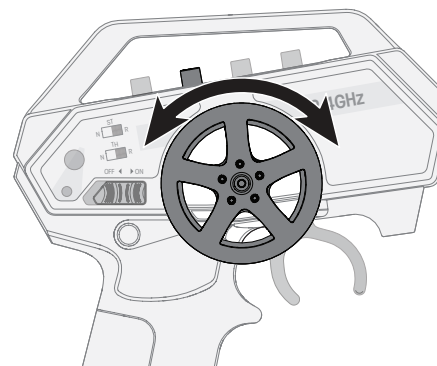
Disconnect and remove the Li-Po battery from the boat after use to prevent trickle discharge. Charge your Li-Po battery to half capacity before storage. During storage, make sure the battery charge does not fall below 3V per cell. LVC does not prevent the battery from over-discharge during storage.

Range Check

IMPORTANT: Perform a range check at the beginning of each boating session, after repair or after installation of a new battery.

Ensure that the battery is fully charged.

1. With the radio system powered on and connected, walk away from your boat 90 feet (32 m).
2. Have an assistant remain with the boat to check for proper control movement of the steering mechanism in response to your transmitter input.
3. If everything appears to be operating correctly, prepare to operate the boat in the water.

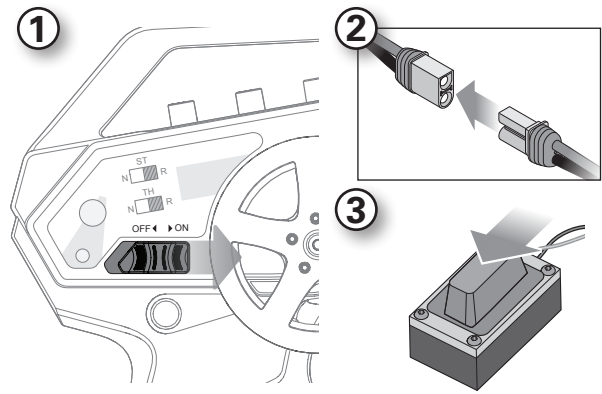


Getting Started

1. Power on the transmitter.

IMPORTANT: Verify that the jumpers on the receiver/ESC correctly corresponds to the battery chemistry.

2. Connect the battery to the IC3 connectors on the receiver/ESC.
3. Power on the receiver/ESC.
4. Test the transmitter's control of the boat with the boat on the display stand.



When You Are Finished

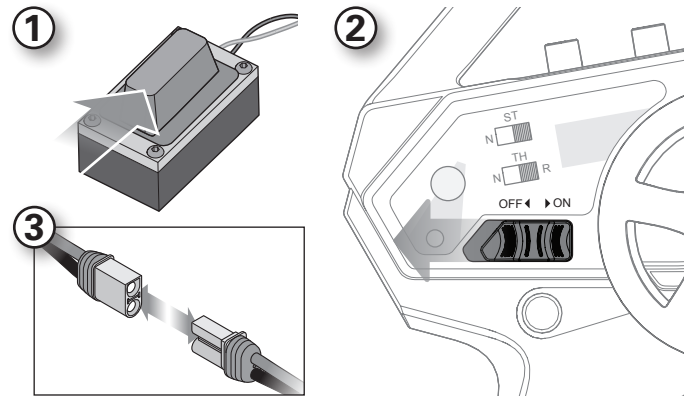
1. Power off the ESC.
2. Power off the transmitter.
3. Disconnect and remove the battery from the boat.

TIP: Always remove the canopy before storage or moisture may allow mold and mildew to grow in the boat.

4. Drain water from inside the hull using the drain plug.
5. Fully dry the inside and outside of the boat, including the water cooling lines and motor cooling block. Carefully dry all battery, motor and receiver connectors by removing one at a time and reinstalling.
6. Remove the hatch before storing your boat.
7. Repair any damage or wear to the boat.
8. Lubricate the flex shaft using Pro Boat® Marine Grease (DYNE4200 or DYNE4201).
9. Note the lessons learned from the trimming of your boat, including water and wind conditions.
10. Replace the rudder cover to protect the rudder's sharp points.

NOTICE: When you are finished boating, never leave the boat in direct sunlight or in a hot, enclosed area such as a car. Doing so can damage the boat.

NOTICE: Using a larger propeller, or one with more pitch than the one included, may damage the electronics and battery packs.



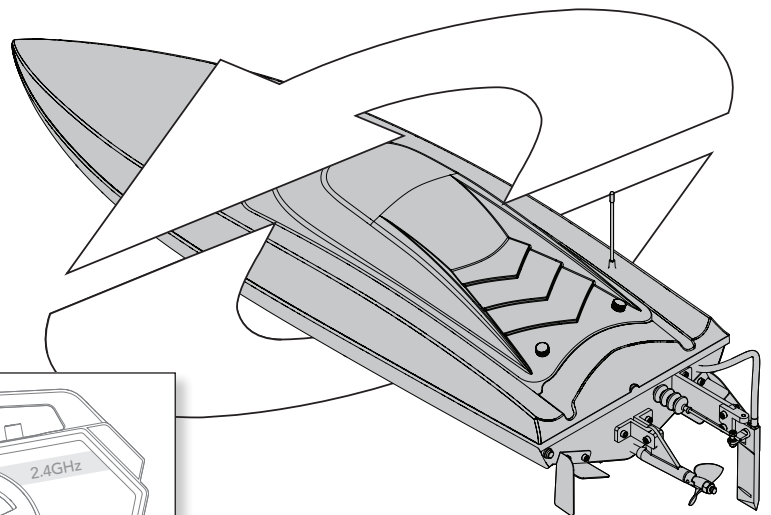
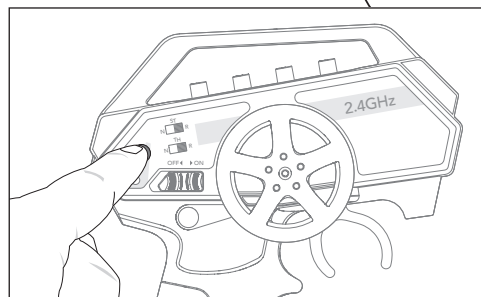
Self-Righting

The Recoil 2 features an auto self-righting feature. This feature is most effective at or above half power.

To engage the self-righting feature:

1. Press and hold the CH3 button on your transmitter, and the boat will self-right.
2. Once the boat has flipped upright, release the CH3 button to resume normal operation.

If you are below half power, use the throttle and brake normally to self-right the boat. Pulse the throttle and brake alternatively, and the boat will self-right.



Boating Tips

During the first run, we recommend calm wind and water conditions to ensure that the boat is properly set up. Maximum speeds of 35 MPH/+ can be achieved once you have set up the boat for your specific conditions. Top speed will also be determined by the battery's ability to efficiently deliver power to the motor via the ESC.

Consult local laws and ordinances before choosing a location to pilot your boat.

1. Carefully place the boat in the water.
2. Operate the boat at slow speeds near the shoreline. Avoid objects in the water at all times. When the boat is moving forward, ensure water flows out of the coolant outlet.
3. Once you are comfortable operating the boat at slow speeds, it is safe to operate the boat farther from the shore at higher speeds.
4. Bring the boat back to shore when the motor starts to pulse.

NOTICE: Never operate your boat in less than 12 inches (30.5 cm) of water.

CAUTION: Never attempt to retrieve a downed boat by swimming. If you need to retrieve your boat from the water, use fishing equipment or another boat.

NOTICE: When running at full speed in choppy water, the propeller may exit and re-enter the water repeatedly and very quickly, subjecting the propeller and drive shaft to some stress. Frequent stress may damage the propeller and drive shaft.

In rough water and windy conditions, consider:

- mounting the batteries further forward for added stability
- adjusting the struts downward to prevent the boat from overturning

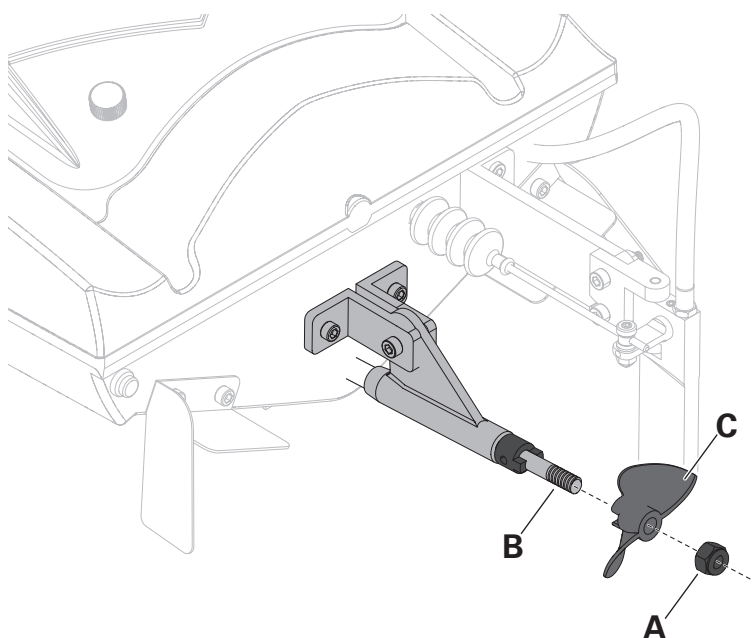
Avoid boating near:

- watercraft
- people (swimming areas, fishing areas)
- stationary objects
- waves and wakes
- rapidly moving water
- wildlife
- floating debris
- overhanging trees
- vegetation

Maintenance

Propeller Service

1. Use an 8mm nut driver to loosen the nut (A) from the driveshaft (B).
2. Remove the nut and propeller (C) from the driveshaft.
3. Inspect the propeller for any damage or wear and replace as necessary.
4. Assemble in reverse order. Correctly align the propeller with the drive dog on the driveshaft.



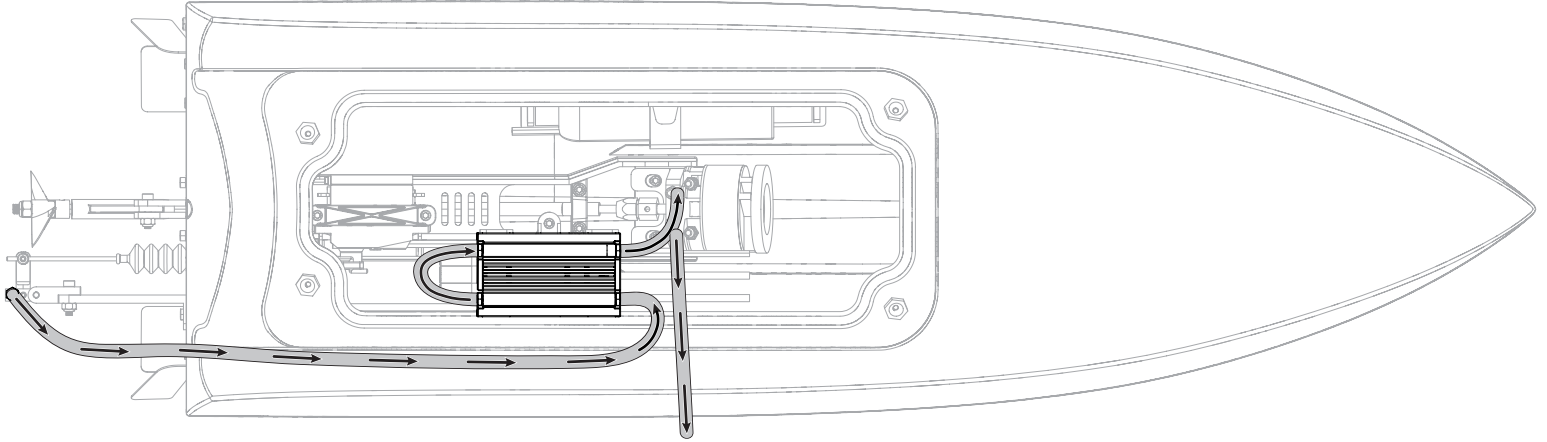
Water Cooling System

If water does not stream out of the right-side water outlet while the boat is moving forward, immediately stop the boat and clean the obstruction from the water-cooling system.

1. Disassemble and clean the water cooling system to remove blockage and prevent overheating.
2. Replace any damaged parts.

IMPORTANT: Ensure that the water cooling exit ports are securely attached to the outside of the hull. Failure to inspect this can result in excess water entering the hull.

CAUTION: Running a battery with less than 11.1V will not provide enough momentum to engage the water-cooling system and will cause damage to the electronics due to excessive heat.



Flex Shaft Maintenance

Lubricating the flex shaft is vital to the life of the drivetrain. This process removes any water from the system, preventing corrosion which leads to higher friction, lower performance, and a shorter product lifespan. The lubricant also acts as a water seal, keeping water from entering the hull through the stuffing tube.

Perform flex shaft maintenance after every boating session.

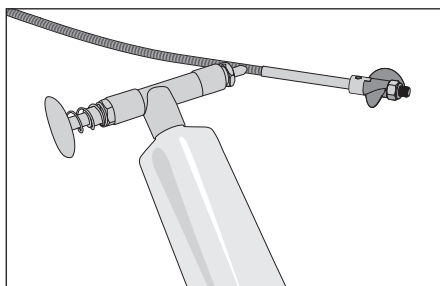
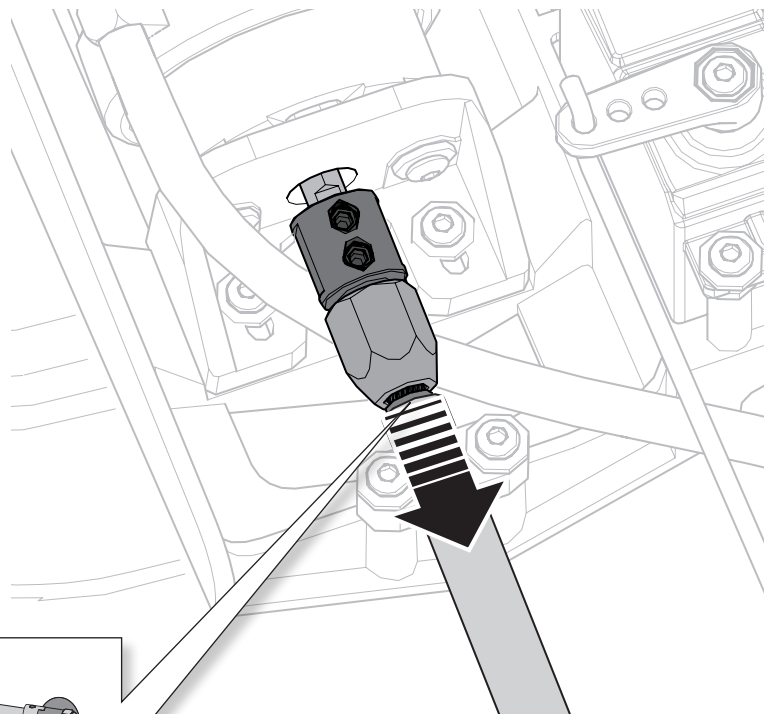
1. Power OFF the boat, and remove the battery.
2. Using two 10mm wrenches, loosen the flex shaft coupler.
3. Slide the flex shaft toward the rear of the boat.
4. Using a towel or paper towel, remove old lubricant and material.
5. Apply a liberal amount of lubrication to the flex shaft and spread it around the entire shaft. Ensure enough lubrication is on the shaft to prevent any dry areas.

NOTICE: When lubricating the flex shaft, do not lubricate the first 20mm of the flex shaft. If grease gets into the motor coupler, it may cause the flex shaft to slip inside of the coupler, thereby damaging it and requiring replacement.

6. Slide the flex shaft into the prop strut and stuffing tube. Rotate it to spread the grease on the inside of the stuffing tube, ensuring that there is a 1–2mm gap between the propeller strut and the drive dog. This will allow space for the shaft as it shrinks under load. Without space, the drive dog could damage the aluminum propeller strut.

NOTICE: Ensure the flex shaft is installed correctly. Installing the flex shaft incorrectly may result in irreparable damage to the boat.

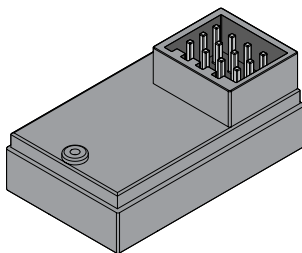
7. Tighten the coupler using two 10mm wrenches.



General Information

Binding

Binding is the process of programming the receiver to recognize the GUID (Globally Unique Identifier) code of a single specific transmitter. **The included transmitter and receiver are bound at the factory.** If you need to rebind, follow the instructions below:



1. Press and hold the AUX 3 button on the transmitter.
2. Power ON the transmitter.
3. Power ON the receiver. The receiver will flash to indicate automatic binding.

4. Restart the transmitter by powering it OFF then back ON. The LED remains steady, indicating binding is complete.

You must rebind when:

- You want different failsafe positions (e.g. when throttle or steering reverse has been changed).
- Binding the receiver to a different transmitter.

NOTICE: Do not attempt to bind the transmitter and receiver if there are other compatible transmitters in bind mode within 400 feet. Doing so may result in unexpected binding.

Failsafe

In the unlikely event that the radio connection is lost during use, the receiver will drive the servo and ESC to their pre-programmed failsafe positions (normally no throttle and straight steering).

If the receiver is powered on before powering on the transmitter, the receiver will enter this failsafe mode. When the transmitter is powered on, normal control is resumed.

Replacement Parts

Part #	Description
HRZ00016	Horizon Pro Boat Receiver
HRZ00020	Horizon Multi Model LT Transmitter V2
PRB18039	Servo 5.3kg 4.826V Waterproof Analog
PRB281101	Hull and Canopy Heatwave: Recoil 2
PRB281102	Turn Fins and TrimTabs: Recoil 2
PRB281103	Rudder Assembly: Recoil 2
PRB281129	Hull and Canopy, Shreddy: Recoil 2
PRB282082	Flex Shaft: Recoil 2
PRB282084	Stuffing Tube: Recoil 2
PRB282085	Propeller, Aluminum: Recoil 2
PRB286075	Canopy Thumb Screws (4):Recoil 2
PRB286076	Water Cooling Lines:Recoil 2
PRB286077	Rudder Pushrod Set: Recoil 2
PRB286078	Hull Seal Set: Recoil 2
PRB286079	Compst Mount Straps: Recoil 2
PRB286080	Motor Mount: Recoil 2
PRB286081	Motor Coupler: Recoil 2
PRB286082	Propeller Strut Set: Recoil 2
SPMXME1A	100A Brushless Marine ESC 3S-4S
SPMXMM1200	Firma 2300Kv Brushless Outrunner Marine Motor
SPMX32003S30	3200mAh 3S 30C Smart LiPo Battery: IC3

Optional Parts

Part #	Description
DYN4403	GPS Speed Meter 2.0
DYNE4200	Grease Gun w/ Marine Grease 5 oz
DYNM0102	Clear Flex Marine Tape (18M)
DYNT0502	Start Up Tool Set: Pro Boat
PRB282008	Propeller, Composite, 1.6 x 1.6 for 3/16 Shaft
SPM2340	DX3 Smart 3-Channel Transmitter with SR315 Receiver
SPMR5115	DX5C Smart 5-Channel DSMR Transmitter Only
SPMS605	S605 Analog Waterproof 9KG Surface Servo, 23T
SPMS612HV	S612HV Digital HV 12KG Waterproof Metal Gear Servo
SPMS614	S614 Waterproof Metal Gear Surface Servo, 23T
SPMS614S	S614S 15kg Steel Gear WP Servo, 23T
SPMSLT300	SLT3 3-Channel SLT Radio System with SR315 Dual Protocol
SPMSR315	SR315 DSMR 3-Channel Sport Receiver
SPMX32003S30	11.1V 3200mAh 3S 30C Smart LiPo Battery: IC3
SPMX32004S30	14.8V 3200mAh 4S 30C Smart LiPo Battery: IC3
SPMX324S100	14.8V 3200mAh 4S 100C Smart G2 LiPo Battery: IC3
SPMX324S50	14.8V 3200mAh 4S 50C Smart G2 LiPo Battery: IC3
SPMX40003S30	11.1V 4000mAh 3S 30C Smart LiPo Battery: IC3
SPMXBC100	XBC100 Smart LiPo Battery Checker & Servo Driver
SPMXC1070	S150 AC/DC Smart Charger, 1x50W
SPMXC2040	S1400 G2 AC 1x400W Smart Charger

Troubleshooting Guide

Problem	Possible Cause	Solution
Boat will not respond to throttle but responds to other controls	Throttle channel is reversed	Reverse throttle channel on transmitter
Extra noise or extra vibration	Damaged propeller, shaft or motor	Replace damaged parts
	Propeller is out of balance	Balance or replace propeller
Reduced runtime or boat underpowered	Boat battery charge is low	Completely recharge battery
	Boat battery is damaged	Replace boat battery and follow battery instructions
	Blocking or friction on shaft or propeller	Disassemble, lubricate and correctly align parts
	Boat conditions may be too cold	Make sure the battery is warm (above 10° C [50° F]) before use
	Battery capacity may be too low for conditions	Replace battery or use a larger capacity battery
	Drive dog is too near the stuffing tube	Loosen drive shaft side of the motor coupling and move drive shaft small amount back
	Too little lubricant on drive shaft	Fully lubricate drive shaft
Boat will not Bind (during binding) to transmitter	Vegetation or other obstacles block the rudder or propeller	Remove vegetation or obstacles from rudder or propeller
	Transmitter is too near boat during binding process	Move powered transmitter a few feet from boat, disconnect and reconnect battery to boat
	Boat or transmitter is too close to large metal object, wireless source or another transmitter	Move the boat and transmitter to another location and attempt binding again
	Another compatible transmitter is powered on within range of the receiver	Power off all compatible transmitters except the one you are trying to bind
	Boat battery/Transmitter battery charge is too low	Replace/recharge batteries
Boat will not connect (after binding) to transmitter	ESC switch is off	Power on ESC switch
	Transmitter is too near boat during connecting process	Move powered transmitter a few feet from boat, disconnect and reconnect battery to boat
	Boat or transmitter is too close to large metal object, wireless source or another transmitter	Move boat or transmitter to another location and attempt to connect again
	Boat battery/transmitter battery charge is too low	Replace/recharge batteries
Boat tends to dive in the water or takes on water	ESC switch is off	Power on ESC switch
	The boat hull is not completely closed	Dry out the boat and ensure the hatch is fully closed on the hull before returning the boat to the water
	Center of gravity is too far forward	Move batteries back in the hull
Boat tends to turn one direction	Trim tabs are angled incorrectly	Angle each trim tab up a small amount to lift the bow or down a small amount to lower the bow
	Rudder or rudder trim is not centered	Repair rudder or adjust rudder and rudder trim for straight running when control is at neutral
Rudder does not move	Vertical fins are angled incorrectly	Adjust the right or left fin angle for straight running when control is at neutral
	Rudder, linkage or servo damage	Replace or repair damaged parts and adjust controls
	Steering servo wire is damaged or connections are loose	Do a check of steering servo wires and connections, connect or replace as needed
	Transmitter is not bound correctly	Re-bind
	BEC (Battery Elimination Circuit) of the ESC is damaged	Replace ESC
Controls reversed	ESC switch is off	Power on ESC switch
	Transmitter settings are reversed	Perform the Control Direction Test and adjust controls on transmitter appropriately
Motor overheats	Blocked water cooler tubes	Clean or replace water tubes
Motor power pulses then motor loses power	Weather conditions might be too cold	Postpone until weather is warmer
	Battery is old, worn out or damaged	Replace battery

2-Year Limited Warranty

What This Warranty Covers — Horizon Hobby, LLC, (Horizon) warrants to the original purchaser that the product purchased (the “Product”) will be free from defects in materials and workmanship for two years from the date of purchase.

What is Not Covered — This warranty is not transferable and does not cover (i) cosmetic damage, (ii) damage due to acts of God, accident, misuse, abuse, negligence, commercial use, or due to improper use, installation, operation or maintenance, (iii) modification of or to any part of the Product, (iv) attempted service by anyone other than a Horizon Hobby authorized service center, (v) Product not purchased from an authorized Horizon dealer, or (vi) Product not compliant with applicable technical regulations or (vii) use that violates any applicable laws, rules, or regulations.

OTHER THAN THE EXPRESS WARRANTY ABOVE, HORIZON MAKES NO OTHER WARRANTY OR REPRESENTATION, AND HEREBY DISCLAIMS ANY AND ALL IMPLIED WARRANTIES, INCLUDING, WITHOUT LIMITATION, THE IMPLIED WARRANTIES OF NON-INFRINGEMENT, MERCHANTABILITY AND FITNESS FOR A PARTICULAR PURPOSE. THE PURCHASER ACKNOWLEDGES THAT THEY ALONE HAVE DETERMINED THAT THE PRODUCT WILL SUITABLY MEET THE REQUIREMENTS OF THE PURCHASER’S INTENDED USE.

Purchaser’s Remedy — Horizon’s sole obligation and purchaser’s sole and exclusive remedy shall be that Horizon will, at its option, either (i) service, or (ii) replace, any Product determined by Horizon to be defective. Horizon reserves the right to inspect any and all Product(s) involved in a warranty claim. Service or replacement decisions are at the sole discretion of Horizon. Proof of purchase is required for all warranty claims. SERVICE OR REPLACEMENT AS PROVIDED UNDER THIS WARRANTY IS THE PURCHASER’S SOLE AND EXCLUSIVE REMEDY.

Limitation of Liability — HORIZON SHALL NOT BE LIABLE FOR SPECIAL, INDIRECT, INCIDENTAL OR CONSEQUENTIAL DAMAGES, LOSS OF PROFITS OR PRODUCTION OR COMMERCIAL LOSS IN ANY WAY, REGARDLESS OF WHETHER SUCH CLAIM IS BASED IN CONTRACT, WARRANTY, TORT, NEGLIGENCE, STRICT LIABILITY OR ANY OTHER THEORY OF LIABILITY, EVEN IF HORIZON HAS BEEN ADVISED OF THE POSSIBILITY OF SUCH DAMAGES. Further, in no event shall the liability of Horizon exceed the individual price of the Product on which liability is asserted. As Horizon has no control over use, setup, final assembly, modification or misuse, no liability shall be assumed nor accepted for any resulting damage or injury. By the act of use, setup or assembly, the user accepts all resulting liability. If you as the purchaser or user are not prepared to accept the liability associated with the use of the Product, purchaser is advised to return the Product immediately in new and unused condition to the place of purchase.

Law — These terms are governed by Illinois law (without regard to conflict of law principals). This warranty gives you specific legal rights, and you may also have other rights which vary from state to state. Horizon reserves the right to change or modify this warranty at any time without notice.

WARRANTY SERVICES

Questions, Assistance, and Services — Your local hobby store and/or place of purchase cannot provide warranty support or service. Once assembly, setup or use of the Product has been started, you must contact your local distributor or Horizon directly. This will enable Horizon to better answer your questions and service you in the event

that you may need any assistance. For questions or assistance, please visit our website at www.horizonhobby.com, submit a Product Support Inquiry, or call the toll free telephone number referenced in the Warranty and Service Contact Information section to speak with a Product Support representative.

Inspection or Services — If this Product needs to be inspected or serviced and is compliant in the country you live and use the Product in, please use the Horizon Online Service Request submission process found on our website or call Horizon to obtain a Return Merchandise Authorization (RMA) number. Pack the Product securely using a shipping carton. Please note that original boxes may be included, but are not designed to withstand the rigors of shipping without additional protection. Ship via a carrier that provides tracking and insurance for lost or damaged parcels, as Horizon is not responsible for merchandise until it arrives and is accepted at our facility. An Online Service Request is available at http://www.horizonhobby.com/content/service-center_render-service-center. If you do not have internet access, please contact Horizon Product Support to obtain a RMA number along with instructions for submitting your product for service. When calling Horizon, you will be asked to provide your complete name, street address, email address and phone number where you can be reached during business hours. When sending product into Horizon, please include your RMA number, a list of the included items, and a brief summary of the problem. A copy of your original sales receipt must be included for warranty consideration. Be sure your name, address, and RMA number are clearly written on the outside of the shipping carton.

NOTICE: Do not ship LiPo batteries to Horizon. If you have any issue with a LiPo battery, please contact the appropriate Horizon Product Support office.

Warranty Requirements — For Warranty consideration, you must include your original sales receipt verifying the proof-of-purchase date. Provided warranty conditions have been met, your Product will be serviced or replaced free of charge. Service or replacement decisions are at the sole discretion of Horizon.

Non-Warranty Service — Should your service not be covered by warranty, service will be completed and payment will be required without notification or estimate of the expense unless the expense exceeds 50% of the retail purchase cost.

By submitting the item for service you are agreeing to payment of the service without notification. Service estimates are available upon request. You must include this request with your item submitted for service. Non-warranty service estimates will be billed a minimum of ½ hour of labor. In addition you will be billed for return freight. Horizon accepts money orders and cashier’s checks, as well as Visa, MasterCard, American Express, and Discover cards. By submitting any item to Horizon for service, you are agreeing to Horizon’s Terms and Conditions found on our website http://www.horizonhobby.com/content/service-center_render-service-center.

ATTENTION: Horizon service is limited to Product compliant in the country of use and ownership. If received, a non-compliant Product will not be serviced. Further, the sender will be responsible for arranging return shipment of the un-serviced Product, through a carrier of the sender’s choice and at the sender’s expense. Horizon will hold non-compliant Product for a period of 60 days from notification, after which it will be discarded.

Warranty and Service Contact Information*

Country of Purchase	Horizon Hobby	Contact Information	Address
United States of America	Horizon Service Center (Repairs and Repair Requests)	servicecenter.horizonhobby.com/RequestForm/	2904 Research Rd. Champaign, Illinois, 61822 USA
	Horizon Product Support (Product Technical Assistance)	productsupport@horizonhobby.com 877-504-0233	
	Sales	websales@horizonhobby.com 800-338-4639	
EU	Horizon Technischer Service	service@horizonhobby.de	Hanskampring 9 D 22885 Barsbüttel, Germany
	Sales: Horizon Hobby GmbH	+49 (0) 4121 2655 100	

*For the most up-to-date customer service contact information, please visit: www.horizonhobby.com/content/service-center-render-service-center

FCC Information

FCC ID: 2A2UNHYMG400

This equipment complies with FCC and IC radiation exposure limits set forth for an uncontrolled environment. This equipment should be installed and operated with minimum distance 20cm between the radiator and/or antenna and your body (excluding fingers, hands, wrists, ankles and feet). This transmitter must not be co-located or operating in conjunction with any other antenna or transmitter.

Supplier's Declaration of Conformity Pro Boat Recoil 2 26 Self Righting Deep V Brushless, RTR (LOS08041)

This device complies with part 15 of the FCC Rules. Operation is subject to the following two conditions: (1) This device may not cause harmful interference, and (2) this device must accept any interference received, including interference that may cause undesired operation.

CAUTION: Changes or modifications not expressly approved by the party responsible for compliance could void the user's authority to operate the equipment.

NOTE: This equipment has been tested and found to comply with the limits for a Class B digital device, pursuant to part 15 of the FCC Rules. These limits are designed to provide reasonable protection against harmful interference in a residential installation.

This equipment generates, uses and can radiate radio frequency energy and, if not installed and used in accordance with the instructions, may cause harmful interference to radio communications. However, there is no guarantee that interference will not occur in a particular installation. If this equipment does cause harmful interference to radio or television reception, which can be determined by turning the equipment off and on, the user is encouraged to try to correct the interference by one or more of the following measures:

- Reorient or relocate the receiving antenna.
- Increase the separation between the equipment and receiver.
- Connect the equipment into an outlet on a circuit different from that to which the receiver is connected.
- Consult the dealer or an experienced radio/TV technician for help.

Horizon Hobby, LLC
2904 Research Rd., Champaign, IL 61822
Email: compliance@horizonhobby.com
Web: HorizonHobby.com

IC Information

CAN ICES-3 (B)/NMB-3(B) IC: 25584-HYMG400

This device contains license-exempt transmitter(s)/receiver(s) that comply with Innovation, Science, and Economic Development Canada's license-exempt RSS(s). Operation is subject to the following 2 conditions:

1. This device may not cause interference.
2. This device must accept any interference, including interference that may cause undesired operation of the device.

Compliance Information for the European Union

EU Compliance Statement: Pro Boat Recoil 2 26 Self Righting Deep V Brushless, RTR (PRB08041)

Hereby, Horizon Hobby, LLC declares that the device is in compliance with the following: Low Voltage Directive (LVD) 2014/35/EU, 2014/30/EU EMC Directive, Radio Equipment Directive (RED) 2014/53/EU, RoHS 2 Directive 2011/65/EU, RoHS 3 Directive - Amending 2011/65/EU Annex II 2015/863.

The full text of the EU declaration of conformity is available at the following internet address: <https://www.horizonhobby.com/content/support-render-compliance>.

NOTE: This product contains batteries that are covered under the 2006/66/EC European Directive, which cannot be disposed of with normal household waste. Please follow local regulations.

Wireless Frequency Range and Wireless Output Power:

Transmitter:
2408–2475MHz
19.62 dBm



E328

EU Manufacturer of Record:

Horizon Hobby, LLC
2904 Research Road
Champaign, IL 61822 USA

EU Importer of Record:

Horizon Hobby, GmbH
Hanskampring 9
22885 Barsbüttel Germany

WEEE NOTICE:



This appliance is labeled in accordance with European Directive 2012/19/EU concerning waste of electrical and electronic equipment (WEEE). This label indicates that this product should not be disposed of with household waste. It should be deposited at an appropriate facility to enable recovery and recycling.

HINWEIS

Alle Anweisungen, Garantien und andere Begleitdokumente können von Horizon Hobby, LLC nach eigenem Ermessen geändert werden. Um aktuelle Produktinformationen zu erhalten, besuchen Sie www.horizonhobby.com oder www.towerhobbies.com und klicken Sie auf die Registerkarte Support oder Ressourcen für dieses Produkt.


SPEZIELLE BEDEUTUNGEN

Die folgenden Begriffe werden in der gesamten Produktliteratur verwendet, um auf unterschiedlich hohe Gefahrenrisiken beim Betrieb dieses Produkts hinzuweisen:

WARNUNG: Wenn diese Verfahren nicht korrekt befolgt werden, ergeben sich wahrscheinlich Sachschäden, Kollateralschäden und schwere Verletzungen ODER mit hoher Wahrscheinlichkeit oberflächliche Verletzungen.

ACHTUNG: Wenn diese Verfahren nicht korrekt befolgt werden, ergeben sich wahrscheinlich Sachschäden UND die Gefahr von schweren Verletzungen.

HINWEIS: Wenn diese Verfahren nicht korrekt befolgt werden, können sich möglicherweise Sachschäden UND geringe oder keine Gefahr von Verletzungen ergeben.

 **WARNUNG:** Lesen Sie die GESAMTE Bedienungsanleitung, um sich vor dem Betrieb mit den Produktfunktionen vertraut zu machen. Wird das Produkt nicht korrekt betrieben, kann dies zu Schäden am Produkt oder persönlichem Eigentum führen oder schwere Verletzungen verursachen.

Dies ist ein hochentwickeltes Hobby-Produkt. Es muss mit Vorsicht und gesundem Menschenverstand betrieben werden und benötigt gewisse mechanische Grundfähigkeiten. Wird dieses Produkt nicht auf eine sichere und verantwortungsvolle Weise betrieben, kann dies zu Verletzungen oder Schäden am Produkt oder anderen Sachwerten führen. Versuchen Sie nicht ohne Genehmigung durch Horizon Hobby, LLC, das Produkt zu zerlegen, es mit inkompatiblen Komponenten zu verwenden oder auf jegliche Weise zu erweitern. Diese Bedienungsanleitung enthält Anweisungen für Sicherheit, Betrieb und Wartung. Es ist unbedingt notwendig, vor Zusammenbau, Einrichtung oder Verwendung alle Anweisungen und Warnhinweise im Handbuch zu lesen und zu befolgen, damit es estimmungsgemäß betrieben werden kann und Schäden oder schwere Verletzungen vermieden werden.

Altersempfehlung: Nicht für Kinder unter 14 Jahren. Dies ist kein Spielzeug.

Zusätzliche Sicherheitsvorkehrungen und Warnhinweise

Als Benutzer dieses Produkts sind Sie allein dafür verantwortlich, es so zu betreiben, dass es Sie selbst und andere nicht gefährdet und dass es zu keiner Beschädigung des Produkts oder des Eigentums Dritter kommt.

- Fassen Sie beim Handling oder Transport das Boot immer von vorne an und halten alle bewegliche Teile weg vom Körper.
- Halten Sie stets in allen Richtungen einen Sicherheitsabstand um Ihr Modell, um Zusammenstöße oder Verletzungen zu vermeiden. Dieses Modell wird von einem Funksignal gesteuert, das Interferenzen von vielen Quellen außerhalb Ihres Einflussbereichs unterliegt. Diese Interferenzen können einen kurzzeitigen Steuerungsverlust verursachen.
- Betreiben Sie Ihr Modell immer auf einer Freifläche ohne Fahrzeuge in voller Größe, Verkehr oder Menschen.
- Befolgen Sie stets sorgfältig die Anweisungen und Warnhinweise für das Modell und jegliche optionalen Hilfsgeräte (Ladegeräte, Akkupacks usw.).
- Bewahren Sie alle Chemikalien, Klein- und Elektroteile stets außerhalb der Reichweite von Kindern auf.
- Setzen Sie Geräte, die für diesen Zweck nicht speziell ausgelegt und geschützt sind, niemals Wasser aus. Feuchtigkeit kann die Elektronik beschädigen.
- Stecken Sie keinen Teil des Modells in den Mund, da dies zu schweren Verletzungen oder sogar zum Tod führen kann.
- Betreiben Sie Ihr Modell nie mit fast leeren Senderakkus.

Spritzwassergeschütztes Boot mit wasserdichter Elektronik

Ihr neues Horizon Hobby Boot wurde mit einer Kombination von wasserdichten und spritzwassergeschützten Komponenten entwickelt die es ihnen ermöglichen das Modell bei ruhigen Bedingungen in Süßwasser zu betreiben.

Obwohl das Boot spritzwassergeschützt ist es nicht vollständig wasserdicht und darf keines Falls wie ein U-Boot behandelt werden. Die verschiedenen elektronischen Komponenten wie der Regler, die Servos und der Empfänger sind wasserdicht, die meisten mechanischen Komponenten sind aber nur spritzwassergeschützt und erfordern nach Betrieb zusätzliche Wartung.

Metallteile, inklusive der Lager, Schrauben und Muttern, Propeller, Ruder, Ruderhalter und Propellerstrebe sowie die Kontakte in den elektrischen Kabeln sind anfällig für Korrosion wenn nach dem Einsatz in feuchter Umgebung zusätzliche Wartungsarbeiten nicht durchgeführt werden. Um die Langzeitleistung ihres Bootes zu maximieren und die Garantie aufrecht zu halten müssen diese Wartungsarbeiten regelmäßig durchführen.



ACHTUNG: Unaufmerksamkeit während des Betriebes des Produktes in Zusammenhang mit den folgenden Sicherheitshinweisen kann zu Fehlfunktionen und dem Verlust der Garantie führen.

Allgemeine Sicherheitshinweise

- Bitte lesen Sie sich die Wartungsanleitung sorgfältig durch und stellen sicher, dass Sie alle Werkzeuge für eine Wartung des Bootes haben.
- Nicht alle Akkutypen sind für den Einsatz in feuchter Umgebung geeignet. Fragen Sie dazu vor dem Einsatz den Hersteller des Akkus. Besondere Aufmerksamkeit sollten Sie bei dem Einsatz von LiPo Akkus walten lassen.
- Die meisten Sender sind nicht wasserfest. Sehen Sie bitte dazu vor Inbetriebnahme in der Bedienungsanleitung ihres Senders nach oder kontaktieren Sie den Hersteller.
- Betreiben Sie ihr Boot niemals bei Gewitter.
- Nehmen Sie niemals den Sender bei Blitzen oder Gewitter in Betrieb.

Wartungsanleitung nach Einsatz in feuchter Umgebung

- Nehmen Sie die Kabinenhaube und Ablaufstopfen ab und kippen das Boot in die Richtung des Ablauf bis alles Wasser was sich gesammelt hat abgelaufen ist.

Akku-Warnhinweise

⚠️ WARNUNG: Unaufmerksamkeit oder falscher Gebrauch des Produktes in Zusammenhang mit den folgenden Warnungen kann zu Fehlfunktionen, elektrischen Störungen, große Hitzeentwicklung, FEUER, und tödlichen Verletzungen und Sachbeschädigungen führen.

- **LASSEN SIE DAS NETZGERÄT, LADEGERÄT UND AKKU NIEMALS UNBEAUFICHTIGT WÄHREND DES BETRIEBES.**
- **LADEN SIE NIEMALS AKKUS ÜBER NACHT.**
- Versuchen Sie niemals tiefentladene, beschädigte oder nasse Akkus zu laden.
- Laden Sie niemals Akkupacks, die aus verschiedenen Zellentypen bestehen.
- Lassen Sie niemals Kinder unter 14 Jahren Akkus laden.
- Laden Sie niemals Akkus in extremer Hitze oder Kälte oder in direkter Sonneneinstrahlung.
- Laden Sie keine Akkus dessen Kabel beschädigt, punktiert oder gekürzt ist.
- Schließen Sie niemals das Ladegerät an wenn das Kabel punktiert oder gekürzt ist.
- Versuchen Sie niemals das Ladegerät auseinander zu bauen oder ein beschädigtes Ladegerät in Betrieb zu nehmen.
- Benutzen Sie ausschließlich wiederaufladbare Akkus die für das Laden mit diesem Ladegerät auch geeignet sind.
- Überprüfen Sie immer den Akku vor dem Laden.
- Halten Sie den Akku fern von Materialien die von Hitze beeinflusst werden können.
- Beobachten Sie immer den Ladevorgang und halten einen Feuerlöscher zu jeder Zeit bereit.

⚠️ ACHTUNG: Halten Sie immer Hände, Finger, Werkzeuge oder anderen lose, hängende Objekte weg von drehenden Teilen wenn Sie das Boot trocknen.

- Entnehmen Sie den Akkupack und trocknen die Kontakte. Sollten Sie einen Kompressor oder Druckluftflasche zur Hand haben blasen Sie damit das Wasser aus den Gehäusevertiefungen.
- Entfernen Sie alle beweglichen Teile. Trocknen und schmieren Sie die Teile alle 30 Betriebsminuten oder immer dann wenn das Boot ein- oder untergetaucht war.

HINWEIS: Verwenden Sie keinen Hochdruckreiniger um das Fahrzeug zu reinigen.

- Reinigen Sie das Fahrzeug mit Druckluft aus einem Kompressor oder einer Druckluftflasche und entfernen so das Wasser aus den Spalten und Ecken.
- Sprühen Sie die Lager, Wellen, Befestigungen mit WD-40 Öl oder einem vergleichbaren wasserverdrängenden Leichtöl ein.
- Lassen Sie das Fahrzeug vor dem Einlagern vollständig trocknen. Das Abtropfen von Wasser (und Öl) kann durchaus ein paar Stunden dauern.

- Beenden Sie sofort den Ladevorgang wenn der Akku zu heiß zum Anfassen werden sollte, oder seine Form (anschwellen) verändert.
- Schließen Sie immer die positiven (+) Anschlüsse und negativen (-) Anschlüsse korrekt an.
- Trennen Sie nach dem Laden den Akku vom Ladegerät und lassen das Ladegerät zwischen den Ladevorgängen abkühlen.
- Laden Sie immer in gut belüfteten Bereichen.
- Beenden Sie bei Fehlfunktionen sofort alle Prozesse und kontaktieren Horizon Hobby.
- Nur wiederaufladbare Akkus wiederholt laden. Das Laden von normalen, nicht wiederaufladbaren Akkus kann ein Platzen der Akkus und damit verbundene Personen- und/oder Sachschäden verursachen.
- Der USB-Ausgang muss in der Nähe des Geräts installiert und leicht zugänglich sein.

⚠️ ACHTUNG: Bitte stellen Sie immer sicher, dass die verwendeten Akkus mit den Spezifikationen des Ladegerätes übereinstimmen und die Einstellungen des Ladegerät korrekt eingestellt sind. Ein Nichtbefolgen kann zu großer Hitze und weiteren Fehlfunktionen führen, die zu Personenoder Sachschäden führen können.

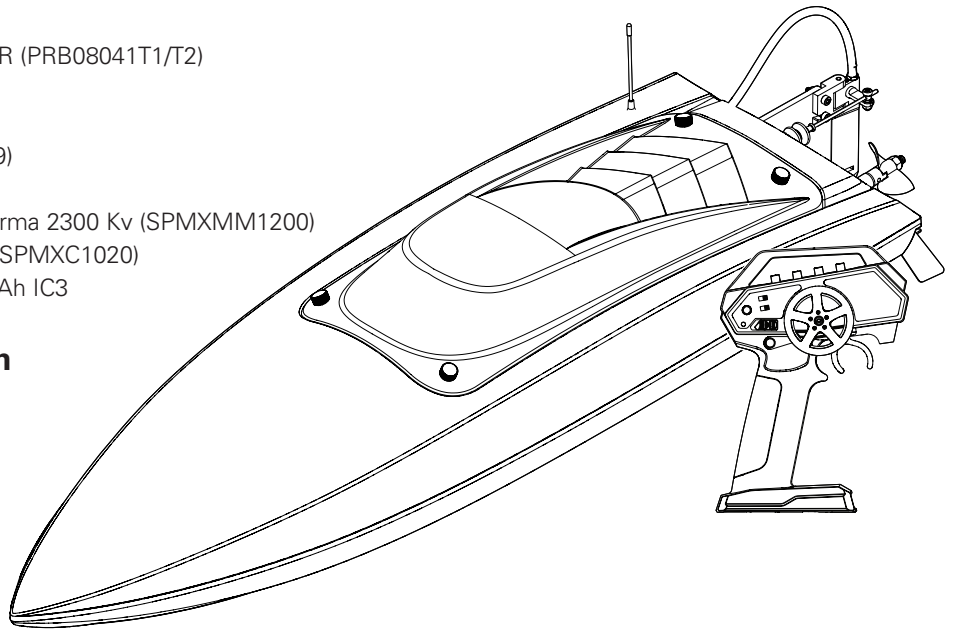
⚠️ ACHTUNG: Wenn der Akkupack während des Ladevorgangs zu irgendeinem Zeitpunkt heiß wird oder zu qualmen beginnt, den Akku sofort trennen und den Ladevorgang unterbrechen, da Akkus Feuer, Kollateralschäden und Verletzungen verursachen können.

Packungsinhalt

- Pro Boat® Recoil 2® 26-Inch Self-Righting Deep-V RTR (PRB08041T1/T2)
- Spektrum™ 100A Marine ESC (SPMXME1A)
- Horizon-Empfänger mit 4 Kanälen (HRZ00016)
- Analog-Servo 5,3 kg, 4,826 V, Wasserdicht (PRB18039)
- Multi-Modell-LT-Sender von Horizon (HRZ00020)
- Bürstenloser Außenläufer-Schiffsmotor Spektrum™ Firma 2300 Kv (SPMXMM1200)
- Smart-Ladegerät Spektrum™ S120 USB-C, 1 x 20 W (SPMXC1020)
- Spektrum™-LiPo-Akku 3S 30C Smart, 11,1 V, 3200 mAh IC3 (SPMX32003S30)

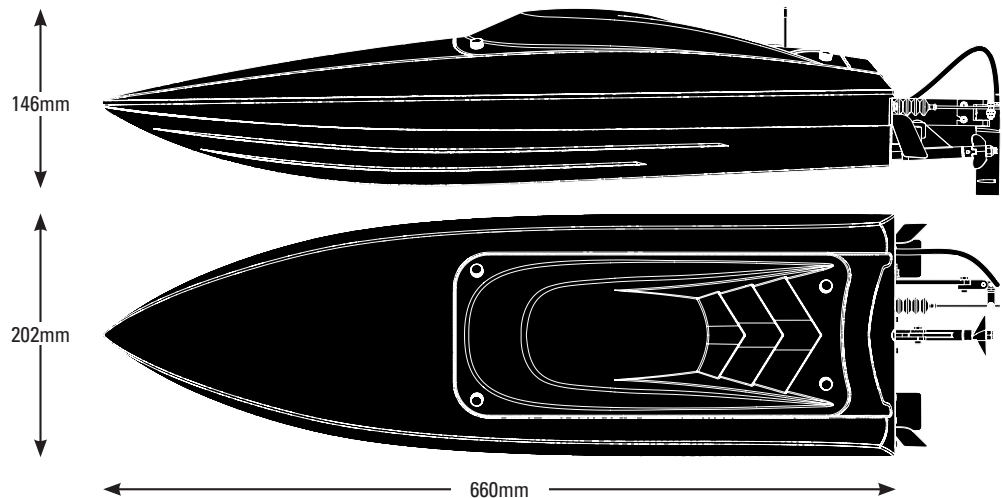
Empfohlenes Werkzeug und Materialien

- Papiertücher
- Reinigungsalkohol
- Gabelschlüssel: 10mm (1), 12mm (1)
- Steckschlüssel: 5.5mm, 7mm
- Sechskantschlüssel: 2mm, 2.5mm
- Transparentes Klebeband (DYNMO102)
- Marinefett und Applikator Dynamite (DYNE4200)
- Klettbandset, Spritzwassergeschützt 4.St. (DYNK0300)
- Reinigungstücher



Spezifikationen

Länge	660mm
Höhe	146mm
Breite	202mm
Rumpfmateri	ABS

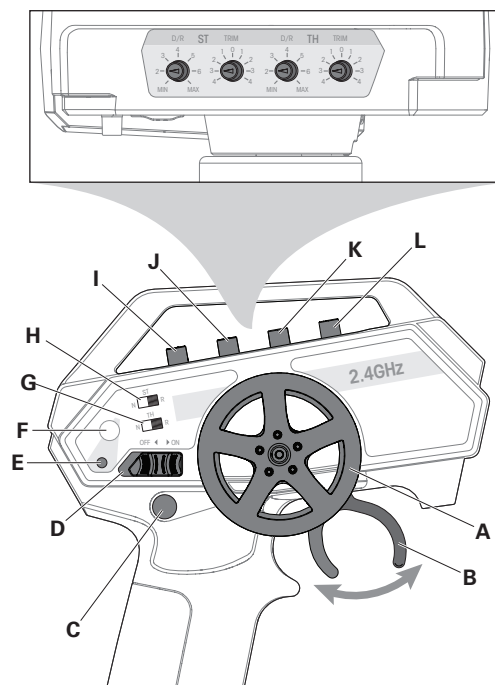


Inhaltsverzeichnis

Zusätzliche Sicherheitsvorkehrungen und Warnhinweise.....	15	Selbstaufrichtend.....	20
Spritzwassergeschütztes Boot mit wasserdichter Elektronik.....	15	Tips für das Fahren.....	21
Allgemeine Sicherheitshinweise.....	16	Wartung.....	21
Wartungsanleitung nach Einsatz in feuchter Umgebung.....	16	Propellerwartung.....	21
Akku-Warnhinweise.....	16	Kühlwassersystem.....	22
Packungsinhalt.....	17	Wartung der Flexwelle.....	22
Empfohlenes Werkzeug und Materialien.....	17	Allgemeine Information.....	23
Spezifikationen.....	17	Binden.....	23
Senderfunktionen.....	18	Failsafe.....	23
Montage des Antennenröhrchen.....	18	Ersatzteile.....	23
Einsetzen des Akkus.....	19	Diverse Teile.....	23
Niederspannungsabschaltung (LVC).....	19	Problemlösung.....	24
Reichweitentest.....	19	Garantie und Service Information.....	25
Starten.....	20	Garantie und Service Kontaktinformationen.....	26
Nach dem Fahren.....	20	Rechtliche Informationen Für Die Europäische Union.....	26

Senderfunktionen

- A. **Lenkrad** Mit dem Lenkrad kontrollieren Sie die Lenkung nach Links und Rechts
- B. **Gashebel** Kontrolliert die Geschwindigkeit und Richtung (vorwärts/ Bremsen/rückwärts)
- C. **LED** Steuerungen Leuchten Ein/Aus (wenn ausgestattet)
- D. **ON/OFF Schalter** Schalten den Sender ein (ON) oder aus (OFF)
- E. **Indikator LED**
 - **Rote LED leuchtet**—zeigt die Funkverbindung und ausreichende Batteriekapazität an
 - **Rote LED blinkt**—zeigt an dass die Batteriespannung kritisch zu niedrig ist. Bitte Batterien ersetzen
- F. **CH 3** Aktiviert Selbstaufrichtungs-Funktion
- G. **TH REV** Reversiert die Funktion des Gashebels. Aus vorwärts wird dann rückwärts
- H. **ST REV** Reversiert die Funktion des Lenkung. Aus links wird dann rechts
- I. **ST Rate** Justiert die Endstellung der Lenkung
- J. **ST Trim** Justiert die Mittelstellung der Lenkung
- K. **TH Rate** Justiert den Gasendpunkt
- L. **TH Trim** Justiert den Neutralpunkt



Einsetzen der Senderbatterien

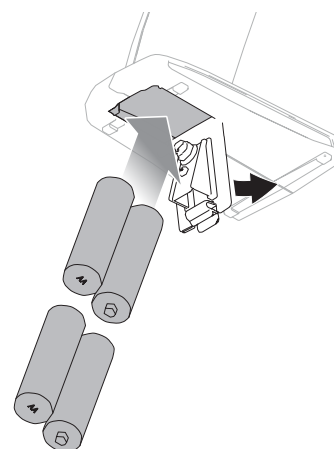
Für den Betrieb sind 4 AA Batterien erforderlich (**Nicht enthalten**).

1. Nehmen Sie die Batterieklappe vom Sender ab.
2. Setzen Sie die Batterien wie abgebildet ein.
3. Setzen Sie die Batterieklappe wieder auf.

ACHTUNG: Entfernen Sie niemals Batterien aus dem Sender, während das Modell eingeschaltet ist. Ein Verlust der Kontrolle über das Modell, Schäden oder Verletzungen können auftreten.

ACHTUNG: Wenn Sie wiederaufladbare Akkus verwenden dürfen Sie nur diese laden. Das Laden von nicht aufladbaren Batterien könnte diese zur Explosion bringen, was Sach- und Personenschäden zur Folge haben könnte.

ACHTUNG: Es besteht Explosionsrisiko wenn die Akkus durch einen falschen Typ ersetzt werden. Entsorgen Sie verbrauchte Batterien den Vorschriften entsprechend.

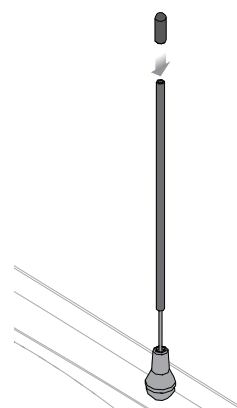


Montage des Antennenröhrchen

Führen Sie die Antenne in das Antennenröhrchen wie abgebildet ein. Knicken Sie das Ende der Antenne nicht über den Rand des Röhrchens und setzen dann die Kappe auf. Zur einwandfreien Funktion muß die Antenne nicht ausserhalb des Röhrchens geführt werden.

Das Ende der Antenne muß sich für den besten Empfang überhalb der Wasserlinie befinden. Kleben Sie die Antenne mit transparenten Klebeband (DYNM0102) an falls gewünscht.

HINWEIS: Kürzen oder knicken Sie die Antennen nicht, da sonst die Gefahr von Beschädigungen besteht.



Einsetzen des Akkus

1. Lösen der 4 Kanzelschrauben.
2. Die Kanzel vorsichtig vom Schiffskörper abheben.
3. Den Akku in das Akkufach einsetzen.
4. Den Akku mit den Stromanschlüssen des Geschwindigkeitsreglers verbindens.
5. Sichern Sie die Kabinenhaube auf dem Rumpf bevor Sie das Boot ins Wasser setzen. Verwenden Sie falls gewünscht transparentes Klebeband (DYNM0102).

TIPP: Platzieren Sie das Kabinendach flach auf dem Rumpf und sichern Sie die beiden vorderen Schrauben gleichzeitig. Dann sichern Sie die beiden hinteren Schrauben gleichzeitig. So wird Verkanten und Beschädigungen der Rändelschrauben und/oder Gewindeeinsätze vorgebeugt.

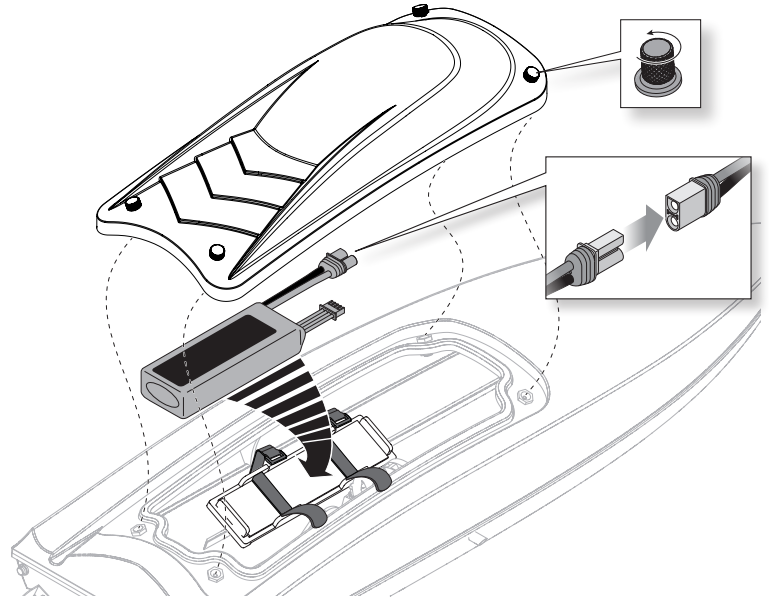
TIPP: Mit dem Einsetzen der Akkus so weit vorne wie möglich beginnen und dann zurück bewegen (13mm) in Richtung Heck, bis das Boot die maximale Geschwindigkeit erreicht hat.

Positionierung der Akkupacks

- **Richtung Bug:** Platzieren Sie den Akku bei rauen Wasserbedingungen oder starkem Wind an der Vorderseite der Akkuhalterung, um die Stabilität zu gewährleisten.
- **Zentriert in der Mitte:** Bei ruhigem Wasser und nur leichtem Wind können Sie den Akku im Rumpf nach hinten bewegen, damit der Bug höher liegt und die Geschwindigkeit erhöht werden kann. Beachten Sie, dass die Positionierung des Akkus weiter

hinten die Wahrscheinlichkeit erhöht, dass das Boot bei hoher Geschwindigkeit umkippt oder instabil wird.

- **Richtung Heck:** Die Positionierung des Akkus im hinteren Bereich der Halterungen ermöglicht höhere Höchstgeschwindigkeiten, kann aber Instabilität bewirken. Testen Sie diese Einstellung nur bei sehr ruhigen Bedingungen und beobachten dabei sehr genau das Verhalten des Bootes während Sie die Geschwindigkeit erhöhen.



Niederspannungsabschaltung (LVC)

Die Werkseinstellung für die Niedrigtrennschaltung des Geschwindigkeitsreglers Ihres Bootes liegt bei 3,2 V pro Zelle. Das Entladen eines LiPo Akku unter 3 Volt pro Zelle kann den Akku beschädigen. Der im Lieferumfang enthaltene Regler schützt den Akku vor Tiefentladung mit der Niederspannungsabschaltung. Ehe der Akkuladestand zu niedrig fällt, trennt die Niedrigtrennschaltung (LVC) die Stromzufuhr zum Motor.

Wenn die Niedrigtrennschaltung aktiviert wird, fährt das Boot erheblich langsamer oder hält an. Durch Loslassen und erneutes Betätigen des Gashebels wird ausreichend Fahrleistung bereitgestellt, um das Boot wieder an Land zu bringen. Durch wiederholtes Fahren mit aktivierter Niedrigtrennschaltung werden die Akkus beschädigt.

Wenn die Niedrigtrennschaltung aktiviert wird, blinkt die Statusanzeige der Geschwindigkeitsregelung rot, wodurch angegeben wird, dass sich die Geschwindigkeitsregelung im Niedrigtrennschaltungsmodus befindet.

HINWEIS: Wiederholter Betrieb bis in die Niederspannungsabschaltung (LVC) beschädigt den Akku.

Die Niedrigtrennschaltung kann verfrüht aktiviert werden, wenn Sie (1) Akku mit niedrigem C-Faktor oder (2) alte, abgenutzte und/oder schwache Akkus verwenden.

Die durchschnittliche Laufzeit – mit den empfohlenen Akkus (SPMX32003S30) – liegt zwischen 3 und 4 Minuten bei durchgehend vollständig betätigtem Gashebel. Bei einer geringeren Laufzeit sind möglicherweise die Akkus abgenutzt oder schwach.

TIPP: Wenn nach dem Einsetzen neu aufgeladener Akkus innerhalb einer Minute die Niedrigtrennschaltung aktiviert wird, die abgenutzten oder schwachen Akkus durch die empfohlenen Akkus ersetzen.

TIPP: Überprüfen Sie die Akkuspannung vor und nach dem Fahren mit dem LiPo Volt-Checker (DYN4071, separat erhältlich).

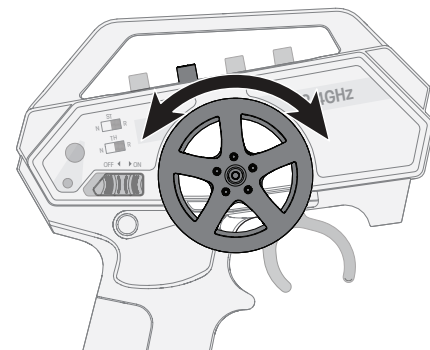
Trennen Sie nach dem Fahren die LiPo Akkus vom Boot um eine Tiefentladung zu vermeiden. Laden Sie den Akku vor dem Einlagern auf die Hälfte seiner Kapazität. Stellen Sie während der Ladung sicher, dass die Akkuspannung nicht unter 3 Volt pro Zelle fällt. Die Niederspannungsabschaltung (LVC) schützt den Akku nicht vor Tiefentladung während der Lagerung.

Reichweitentest

WICHTIG: Führen Sie zum Anfang jeder Saison nach Reparaturen oder dem Einsetzen eines neuen Akkus einen Reichweitentest durch.

Sicherstellen, dass der Akku vollständig geladen ist.

1. Entfernen Sie sich mit eingeschalteter Fernsteuerung 32 Meter vom Boot.
2. Bitte Sie einen Helfer bei dem Boot zu bleiben und die Ruderreaktionen zu den Steuereingaben am Sender zu prüfen.
3. Sollte alles korrekt funktionieren, können Sie das Boot für den Betrieb in das Wasser setzen.

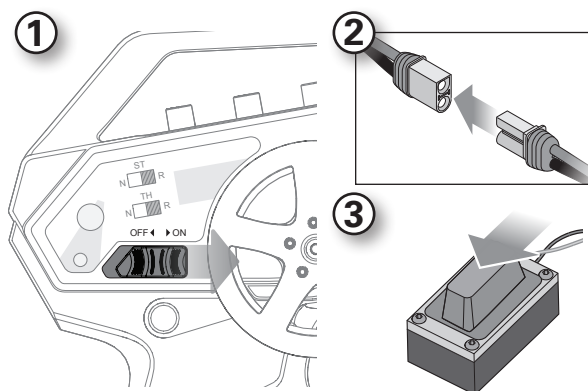


Starten

1. Schalten Sie den Sender ein.

WICHTIG: Bestätigen, dass die Steckbrücken auf dem Geschwindigkeitsregler der Batteriechemie entsprechen.

2. Den Akku mit den IC3-Steckern auf dem Empfänger verbinden.
3. Schalten Sie den Reglerschalter ein.
4. Testen Sie die Senderkontrollen mit dem Boot auf dem Ständer.



Nach dem Fahren

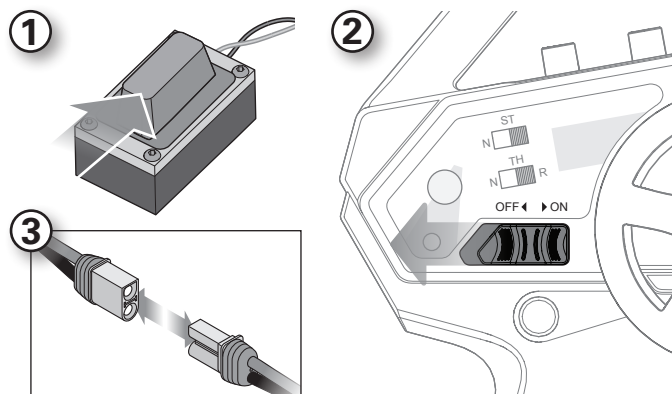
1. Schalten Sie den Regler aus.
2. Schalten Sie den Sender aus.
3. Trennen und entfernen Sie den Akku aus dem Boot.

TIPP: Nehmen Sie immer vor dem Einlagern die Kabinenhaube ab, da sich sonst durch Restfeuchte Schimmel im Boot bilden kann.

4. Ziehen Sie den Verschlussstopfen und lassen Wasser aus dem Rumpffinneren austreten.
5. Lassen Sie das Boot vollständig inklusive Kühlsystem vollständig trocknen und des Motorkühlungsblocks. Trennen Sie zum trocknen die Akku, Motor- und Empfängerverbindungen und stecken Sie danach wieder zusammen.
6. Nehmen Sie vor dem Einlagern die Kabinenhaube ab.
7. Reparieren Sie evtl. Abnutzung oder Schäden am Boot.
8. Schmieren Sie die Flexwelle mit Pro Boat Marine Fett (DYNE4200, DYNE4201).
9. Machen Sie sich Notizen über den Trimm des Bootes sowie Wind und Wetterbedingungen.
10. Bringen Sie die Ruderabdeckung wieder an, um die scharfen Kanten des Ruders zu schützen.

HINWEIS: Lassen Sie nach dem Fahren das Boot niemals in der Sonne. Lagern Sie das Boot nicht in geschlossen heißen Räumen wie zum Beispiel einem Auto. Das könnte das Boot beschädigen.

HINWEIS: Der Gebrauch eines größeren Propellers oder eines Propellers mit mehr Steigung, als der im Lieferumfang befindliche beschädigt die Elektronik und die Akkus.

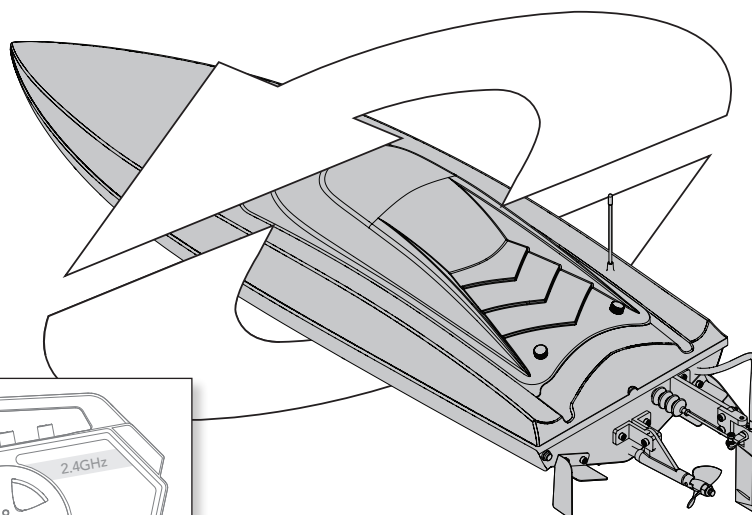
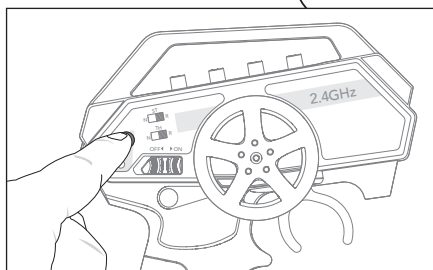


Selbstaufrichtend

Das Recoil 2 ist mit einer Selbstaufrichtungs-Funktion ausgestattet. Diese Funktion funktioniert am besten bei halber oder höherer Kraft.

So benutzen Sie die Selbstaufrichtungs-Funktion:

1. Drücken und halten Sie die Taste Ch3 auf Ihrem Sender, damit sich das Boot selber aufrichtet.
2. Sobald sich das Boot wieder in Position gedreht hat, lassen Sie die Ch3-Taste los und betreiben das Boot normal weiter. Bei geringerer als halber Kraft verwenden Sie ganz normal den Gas-/Bremshebel, damit sich das Boot aufrichtet. Sie können auch den Gas-/Bremshebel drücken, damit sich das Boot selbst aufrichtet.



Tips für das Fahren

Wir empfehlen für die ersten Fahrten ruhige Wind- und Wetterbedingungen um sicherzustellen, dass das Boot korrekt eingestellt ist. Die maximale Geschwindigkeit von 35 MPH/+ kann erreicht werden, wenn sie das Boot auf die spezifischen Bedingungen eingestellt haben. Die Höchstgeschwindigkeit wird auch durch die Fähigkeit des Akkus bestimmt, den Motor über den Geschwindigkeitsregler effizient mit Strom zu versorgen.

Bitte beachten Sie lokale Bestimmungen und Gesetze bevor Sie sich einen Platz zum Fahren suchen.

1. Setzen Sie das Boot vorsichtig in das Wasser.
2. Fahren Sie das Boot bei langsamer Geschwindigkeit in Ufernähe. Vermeiden Sie bitte zu allen Zeiten den Kontakt mit anderen Objekten im Wasser.
3. Haben Sie sich mit dem Boot bei niedrigen Geschwindigkeiten vertraut gemacht, können Sie die Entfernung zum Ufer vergrößern und die Geschwindigkeit erhöhen.
4. Fahren Sie das Boot zurück zum Ufer wenn der Motor zu pulsieren beginnt.

HINWEIS: Fahren Sie niemals in geringerer Wassertiefe als 30,5cm.

⚠ ACHTUNG: Versuchen Sie niemals ein gekennntertes Boot schwimmend zu bergen. Nutzen Sie zum Bergen eine Angelausrüstung oder ein anderes Boot.

HINWEIS: Beim Betrieb im rauen Wasser kann der Propeller wiederholt aus dem Wasser aus- und eintreten. Dieses führt zu einer starken Belastung von Propeller und Welle. Eine dauerhafte Belastung kann die Welle und den Propeller beschädigen.

Beim Betrieb im rauen Wasser und windigen Wetter sollten Sie in Erwägung ziehen:

- die Akkus für erhöhte Stabilität nach vorne zu positionieren
- die Propellerstreben nach unten zu positionieren um ein Überschlagen des Bootes zu verhindern

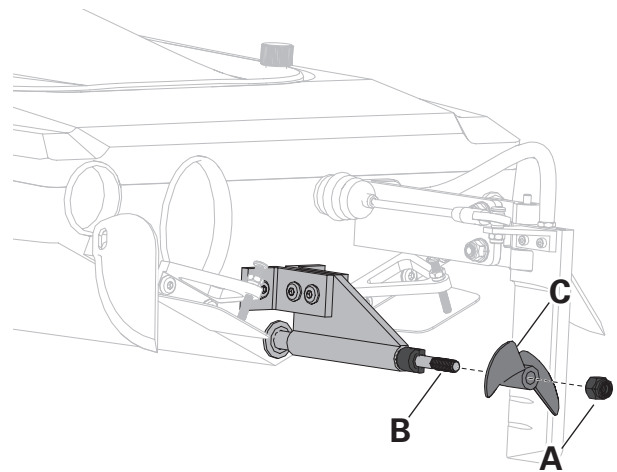
Vermeiden Sie das Fahren neben:

- Anderen Wasserfahrzeugen
- Menschen (in Schwimm- und Angelgebieten)
- Stationäre Objekte
- Wellen und Strudel
- Schnell fließenden Wasser
- Tieren
- Treibmüll
- Überhängenden Bäumen
- Pflanzen

Wartung

Propellerwartung

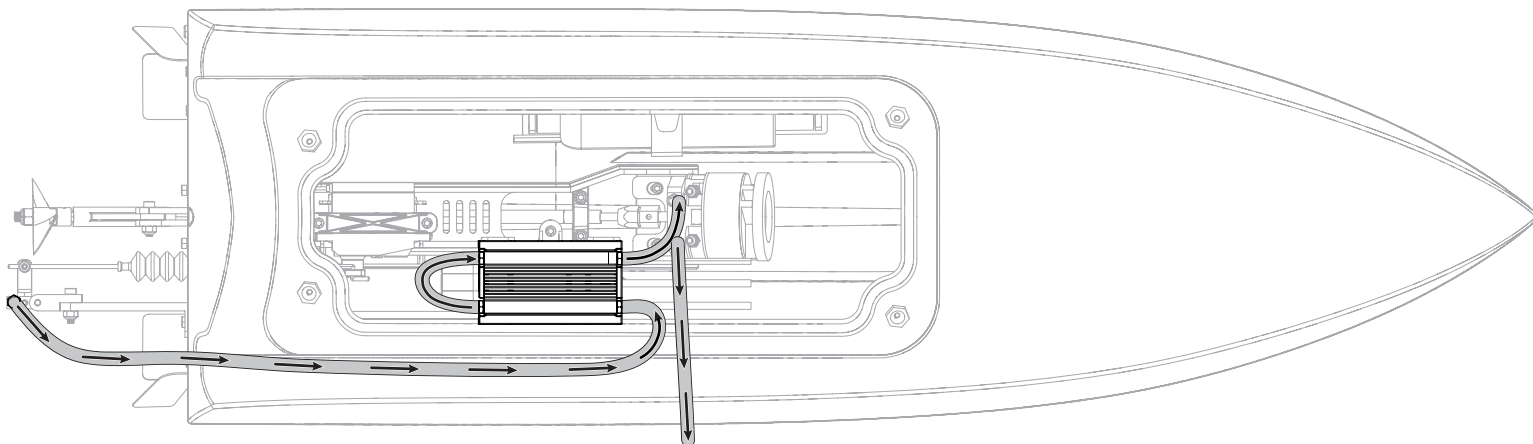
1. Lösen Sie mit einem 8mm Steckschlüssel die Mutter (**A**) vom Mitnehmer (**B**).
2. Entfernen Sie die Mutter und Propeller (**C**) vom Mitnehmer.
3. Überprüfen Sie den Propeller auf Beschädigungen oder Verschleiß und ersetzen falls notwendig.
4. Montieren Sie in umgekehrter Reihenfolge. Richten Sie den Propeller zum Mitnehmer aus.



Kühlwassersystem

Wenn das Wasser während der Fahrt nicht aus dem rechten Wasserauslass strömt, das Boot sofort anhalten und das Hindernis von der Wasserkühlung entfernen.

1. Trennen und reinigen Sie das Kühlwassersystem um Verstopfungen zu entfernen und ein Überhitzen zu verhindern.
2. Ersetzen Sie beschädigte Teile.



WICHTIG: Sicherstellen, dass die Ausgänge der Wasserkühlung sicher an der Außenseite des Rumpfs befestigt sind. Falls dies nicht geprüft wird, kann überschüssiges Wasser in den Rumpf eindringen.



ACHTUNG: Der Betrieb eines Akkus mit weniger als 11,1 V liefert nicht genügend Schwung, um das Kühlwassersystem zu aktivieren und verursacht Schäden an der Elektronik durch übermäßige Hitze.

Wartung der Flexwelle

Das Schmieren der Flexwelle ist für die Lebensdauer des Antriebsstrangs wichtig. Bei diesem Vorgang wird jegliches Wasser aus dem System entfernt. Das beugt Korrosion vor, die zu einer stärkeren Reibung und geringeren Leistung führen und die Lebensdauer des Produkts verkürzen würde. Die Schmierung fungiert außerdem als Wasserverschluss, wodurch der Wassereintritt in den Rumpf über das Füllrohr verhindert wird.

Führen Sie die Wartung der Welle nach jeder Benutzung des Bootes durch.

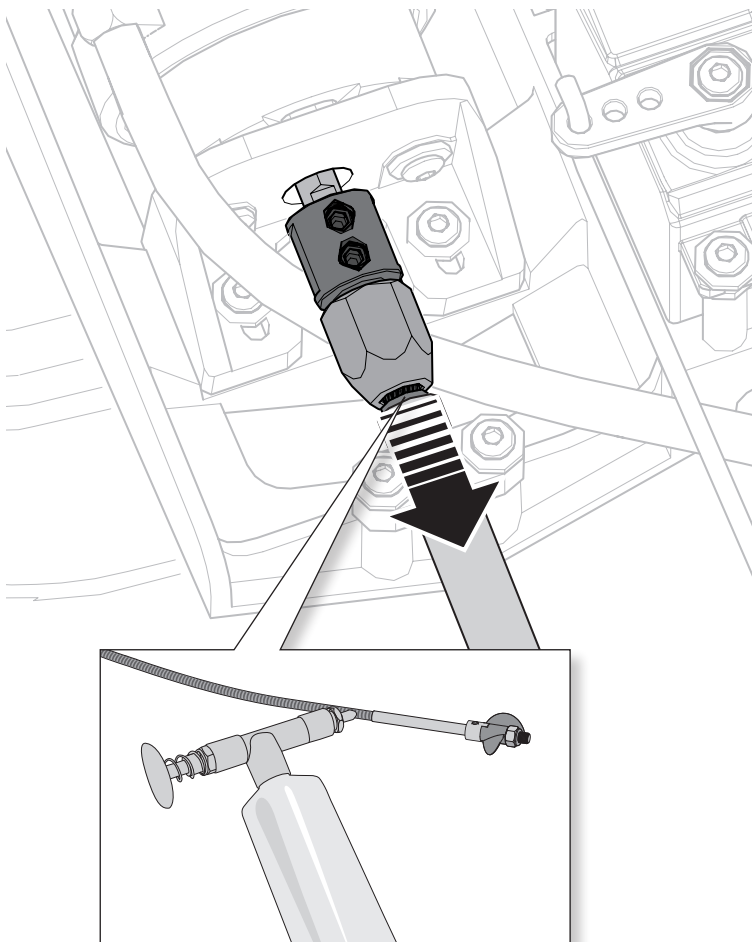
1. Den Geschwindigkeitsregler auf OFF schalten und den Akku herausnehmen.
2. Lösen Sie mit zwei 10-mm-Schraubenschlüsseln die Flexwellenkupplung.
3. Schieben Sie die Flexwelle zum Heck des Bootes.
4. Entfernen Sie mit einem Lappen oder Papiertuch altes Schmiermittel und sonstige Reste.
5. Großzügig Schmiermittel auf die Flexwelle geben und um die gesamte Welle verteilen. Ausreichend Schmierung an der Welle sicherstellen, damit keine trockenen Bereiche vorliegen.

HINWEIS: Beim Schmieren der Flexwelle die ersten 20 mm der Welle nicht schmieren. Falls Fett in die Motorkupplung gelangt, kann dies dazu führen, dass die Flexwelle in die Kupplung rutscht und diese dadurch beschädigt und einen Austausch erfordert.

6. Die Flexwelle in die Propellerstange und das Füllrohr schieben. Die Welle drehen, um das Fett auf der Innenseite des Füllrohrs zu verteilen, und sicherstellen, dass eine Lücke von 1 bis 2 mm zwischen Propellerstange und Mitnehmer vorliegt. Dadurch geben Sie der Welle den Platz, den sie braucht, wenn Sie sich unter Belastung zusammenzieht. Wenn Sie keinen Platz lassen, kann der Mitnehmer die Propellerstange aus Aluminium beschädigen.

HINWEIS: Vergewissern Sie sich, dass die Flexwelle korrekt installiert ist. Bei falscher Installation der Flexwelle kann am Boot irreparabler Schaden entstehen.

7. Die Kupplung mit zwei 10-mm-Schlüsseln festziehen.

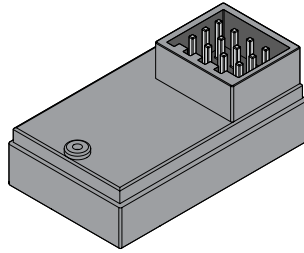


Allgemeine Information

Binden

Mit Binden wird die Programmierung des Empfängers bezeichnet, die es ihm erlaubt, den GUID (global eindeutige Identifikation) eines einzelnen und spezifischen Senders zu erkennen.

Der Sender und der Empfänger sind werkseitig gebunden. Sollten Sie diese nochmal binden wollen, folgen Sie bitte diesen Anweisungen :



1. Halten Sie die AUX 3-Taste am Sender gedrückt.
2. Schalten Sie den Sender ein.
3. Schalten Sie den Empfänger ein. Der Empfänger blinkt, um die automatische Bindung anzuzeigen.

4. Starten Sie den Sender neu, indem Sie ihn aus- und wieder einschalten. Die LED leuchtet durchgehend und zeigt damit an, dass die Bindung abgeschlossen ist.

Sie müssen die Bindung erneut durchführen wenn:

- Andere Failsafepositionen gewünscht sind, oder wenn Gas oder Lenkfunktion reversioniert wurde.
- Den Empfänger an einen anderen Sender binden.

HINWEIS: Versuchen Sie nicht den Sender mit dem Empfänger zu binden wenn andere kompatible Sender in einem Umkreis von 120 Metern ebenfalls im Bindemodus sind. Dieses könnte zu ungewollten Bindungen führen.

Failsafe

In dem unvorhergesehenem Fall, dass die Funkverbindung während des Betriebes verloren geht fährt der Empfänger die Servo und Regler ESC in die vorprogrammierten Failsafepositionen (normalerweise kein Gas und Lenkung gerade).

Sollte der Empfänger vor dem Sender eingeschaltet sein, geht der Empfänger in den Failsafe Mode und fährt die Servos in die programmierten Failsafepositionen. Wird dann der Sender eingeschaltet besteht wieder normale Kontrolle. Die Failsafeservopositionen werden während des Bindens eingestellt.

Ersatzteile

Teilenummer	Beschreibung
HRZ00016	Empfänger Horizon Pro Boat
HRZ00020	Horizon-Sender Multi Model LT Transmitter V2
PRB18039	Analog-Servo 5,3kg, 4,826V, Wasserdicht
PRB281101	Rumpf und Kanzel Heatwave: Recoil 2
PRB281102	Wendeflossen und Trimmklappen: Recoil 2
PRB281103	Rudergruppe: Recoil 2
PRB281129	Rumpf & Kanzel Shreddy: Recoil 2
PRB282082	Flexwelle: Recoil 2
PRB282084	Füllrohr: Recoil 2
PRB282085	Propeller, Aluminium: Recoil 2
PRB286075	Fingerschrauben Kanzel (4): Recoil 2
PRB286076	Wasserkühllleitungen: Recoil 2
PRB286077	Rudergestängesatz: Recoil 2
PRB286078	Rumpfdichtungssatz: Recoil 2
PRB286079	Befestigungsriemen Kompositruder: Recoil 2
PRB286080	Motorhalterung: Recoil 2
PRB286081	Motorkupplung: Recoil 2
PRB286082	Propellerverstrebungssatz: Recoil 2
SPMXME1A	Regler 100A Brushless Marine ESC 3S-4S
SPMXMM1200	Bürstenloser 2000-Kv-Schiffsmotor Firma
SPMX32003S30	LiPo-Akku 3S 30C Smart, 3200 mAh IC3

Teilenummer	Beschreibung
DYN4403	GPS Speed Meter 2,0
DYNE4200	Fettpresse mit Marine Grease, 142 g (5 oz)
DYNM0102	Transparentes, flexibles Bootsband (18M)
DYNT0502	Anfänger-Werkzeugsatz: Pro Boat
PRB282008	Propeller, Verbundwerkstoff, 1,6 x 1,6, für 3/16-Schaft
SPM2340	DX3 Smart 3-Kanal-Sender mit SR315-Empfänger
SPMR5115	DX5C Smart 5-Kanal-DSMR, nur Sender
SPMS605	Wasserdichter Oberflächen-Analog-Servo S605, 9 kg, 23T
SPMS612HV	Wasserdichtes Metallgetriebeservo S612HV Digital HV, 12 kg
SPMS614	Wasserdichtes Metall-Zahnradflächenservo Spektrum™ S614, 23T
SPMS614S	Wasserdichtes Stahlgetriebeservo SS614S, 15 kg, 23T
SPMSLT300	3-Kanal-SLT-Funksystem SLT3 mit SR316 Dual-Protokoll
SPMSR315	DSMR-Sportempfänger SR315 mit 3 Kanälen
SPMX32003S30	LiPo-Akku 3S 30C Smart, 11,1 V, 3200 mAh: IC3
SPMX32004S30	LiPo-Akku 4S 30C Smart, 14,8 V, 3200 mAh : IC3
SPMX324S100	LiPo-Akku 3S 100C Smart G2, 14,8 V, 3200 mAh: IC3
SPMX324S50	LiPo-Akku 4S 50C Smart G2, 14,8V, 3200 mAh: IC3
SPMX40003S30	LiPo-Akku 3S 30C Smart, 11,1 V, 4000 mAh: IC3
SPMXBC100	LiPo-Akkuprüfer XBC100 Smart und Servotreiber
SPMXC1070	Wechsel-/Gleichstrom-Ladegerät S150 Smart, 1 x 50 W
SPMXC2040	Smart-Ladegerät S1400 G2 AC, 1x400 W



Problemlösung

Problem	mögliche Ursache	Lösung
Boot reagiert nicht auf Gas, aber auf andere Kontrollen	Gaskanal ist reversiert	Reversieren Sie den Gaskanal auf dem Sender
Starkes Geräusch oder Vibration	Beschädigter Propeller, Welle oder Motor	Ersetzen Sie beschädigte Teile
	Propeller hat eine Unwucht	Wuchten oder ersetzen Sie den Propeller
Reduzierte Fahrzeit, Boot hat keine Leistung	Akkuladung ist zu gering	Laden Sie den Fahrakku vollständig
	Fahrakku ist beschädigt	Ersetzen Sie den Fahrakku und folgen Sie den Anweisungen
	Blockierter oder schwergängiger Propeller	Demontieren, schmieren und richten die Teile korrekt aus
	Fahrbedingungen möglicherweise zu kalt	Stellen Sie sicher, dass der Akku vor der Benutzung warm (über 10°) ist
	Akkukapazität für die Fahrbedingungen möglicherweise zu gering	Ersetzen Sie den Akku mit einem Akku größerer Kapazität
	Propellermittnehmer liegt zu stramm am Stevenrohr	Lösen Sie die Antriebswellenkupplung und ziehen diese ein Stück weiter raus
	Antriebswelle zu wenig geschmiert	Schmieren Sie die Welle vollständig
Boot will sich nicht binden (während des Bindevorganges)	Ruder oder Propeller durch Pflanzen oder andere Gegenstände blockiert	Nehmen Sie das Boot aus dem Wasser und entfernen Sie die Hindernisse
	Sender steht zu nah am Boot während des Bindevorganges	Stellen Sie den eingeschalteten Sender ein paar Meter vom Boot weg, trennen den Akku und verbinden erneut
	Boot oder Sender sind zu nah neben großen metallischen Objekten, Funkquelle oder anderem Sender	Bringen Sie das Boot und Sender an einen anderen Platz und binden erneut
	Bindestecker ist nicht korrekt eingesteckt	Setzen Sie den Bindestecker ein und binden das Boot an den Sender
Boot will sich nicht an den Sender verbinden (Nach dem Bindevorgang)	Fahrakku/Senderakku zu gering geladen	Ersetzen laden Sie den die Akkus
	Regler ist ausgeschaltet	Schalten Sie den Regler ein
	Sender steht zu nah am Boot während des Verbindevorganges	Bringen Sie den eingeschalteten Sender ein paar Meter weg vom Boot und versuchen erneut eine Verbindung
	Boot oder Sender sind zu nah an metallischen Objekten, Funkquellen oder anderem Sender	Bringen Sie den Sender und das Boot an einen anderen Ort und versuchen erneut eine Verbindung
	Bindestecker stecken gelassen	Binden Sie erneut den Sender an das Boot und entfernen den Bindestecker bevor Sie das Boot wieder einschalten
	Senderakku/Fahrakku zu wenig geladen	Laden/ersetzen Sie die Akkus
Boot neigt zum Untertauchen oder nimmt Wasser auf	Sender wurde an ein anderes Modell gebunden (mit anderem DSM Protokoll)	Binden Sie das Boot an den Sender
	Reglerschalter ist aus	Schalten Sie den Regler ein
Boot tendiert in eine Richtung	Die Abdeckung ist nicht vollständig geschlossen	Trocknen Sie das Boot und stellen sicher dass die Abdeckung vollständig geschlossen ist bevor Sie wieder in das Wasser setzen
	Der Schwerpunkt ist zu weit vorne	Bewegen Sie die Akkus im Rumpf
Ruder bewegt sich nicht	Ruder oder Rudertrimmung ist nicht zentriert	Reparieren Sie das Ruder oder stellen es ein. Trimmen Sie das Boot dass es geradeaus fährt
	Ruder, Anlenkung oder Servo beschädigt	Ersetzen oder reparieren Sie beschädigte Teile und stellen die Kontrollen ein
	Kabel ist beschädigt und Verbindungen sind lose	Prüfen Sie die Kabel oder Verbindungen, verbinde oder ersetzen Sie falls notwendig
	Sender ist nicht korrekt gebunden oder das falsche Modell wurde gewählt	Binden Sie erneut oder wählen das richtige Modell
	Die Empfängestromversorgung (BEC) des Reglers ist defekt	Ersetzen Sie den Regler
Kontrollen reversiert	Der Regler ist ausgeschaltet	Schalten Sie den Regler ein
	Sendereinstellungen sind reverisert	Führen Sie einen Kontrolltest durch und stellen die Kontrollen passend zum Sender ein
Motor oder Regler überhitzt	Verstopfte/Blockierte Kühlwasserleitungen	Reingen oder ersetzen Sie die Kühlwasserleitung
Motor pulsiert und verliert dann Leistung	Wetterbedingungen möglicherweise zu kalt	Verschieben Sie die Fahrt bis es wärmer ist
	Akku ist zu alt, abgenutzt oder beschädigt	Ersetzen Sie den Akku

Garantie und Service Informationen

Warnung — Ein ferngesteuertes Modell ist kein Spielzeug. Es kann, wenn es falsch eingesetzt wird, zu erheblichen Verletzungen bei Lebewesen und Beschädigungen an Sachgütern führen. Betreiben Sie Ihr RC-Modell nur auf freien Plätzen und beachten Sie alle Hinweise der Bedienungsanleitung des Modells wie auch der Fernsteuerung.

Garantiezeitraum — Exklusive Garantie Horizon Hobby LLC (Horizon) garantiert, dass das gekaufte Produkt frei von Material- und Montagefehlern ist. Der Garantiezeitraum entspricht den gesetzlichen Bestimmungen des Landes, in dem das Produkt erworben wurde. In Deutschland beträgt der Garantiezeitraum 6 Monate und der Gewährleistungszeitraum 18 Monate nach dem Garantiezeitraum.

Einschränkungen der Garantie — (a) Die Garantie wird nur dem Erstkäufer (Käufer) gewährt und kann nicht übertragen werden. Der Anspruch des Käufers besteht in der Reparatur oder dem Tausch im Rahmen dieser Garantie. Die Garantie erstreckt sich ausschließlich auf Produkte, die bei einem autorisierten Horizon Händler erworben wurden. Verkäufe an Dritte werden von dieser Garantie nicht gedeckt. Garantieansprüche werden nur angenommen, wenn ein gültiger Kaufnachweis erbracht wird. Horizon behält sich das Recht vor, diese Garantiebestimmungen ohne Ankündigung zu ändern oder modifizieren und widerruft dann bestehende Garantiebestimmungen.

(b) Horizon übernimmt keine Garantie für die Verkaufbarkeit des Produktes, die Fähigkeiten und die Fitness des Verbrauchers für einen bestimmten Einsatzzweck des Produktes. Der Käufer allein ist dafür verantwortlich, zu prüfen, ob das Produkt seinen Fähigkeiten und dem vorgesehenen Einsatzzweck entspricht.

(c) Ansprüche des Käufers → Es liegt ausschließlich im Ermessen von Horizon, ob das Produkt, bei dem ein Garantiefall festgestellt wurde, repariert oder ausgetauscht wird. Dies sind die exklusiven Ansprüche des Käufers, wenn ein Defekt festgestellt wird.

Horizon behält sich vor, alle eingesetzten Komponenten zu prüfen, die in den Garantiefall einbezogen werden können. Die Entscheidung zur Reparatur oder zum Austausch liegt nur bei Horizon. Die Garantie schließt kosmetische Defekte oder Defekte, hervorgerufen durch höhere Gewalt, falsche Behandlung des Produktes, falscher Einsatz des Produktes, kommerziellen Einsatz oder Modifikationen irgendwelcher Art aus.

Die Garantie schließt Schäden, die durch falschen Einbau, falsche Handhabung, Unfälle, Betrieb, Service oder Reparaturversuche, die nicht von Horizon ausgeführt wurden aus.

Ausgeschlossen sind auch Fälle die bedingt durch (vii) eine Nutzung sind, die gegen geltendes Recht, Gesetze oder Regularien verstoßen haben. Rücksendungen durch den Käufer direkt an Horizon oder eine seiner Landesvertretungen bedürfen der Schriftform.

Schadensbeschränkung — Horizon ist nicht für direkte oder indirekte Folgeschäden, Einkommensausfälle oder kommerzielle Verluste, die in irgendeinem Zusammenhang mit dem Produkt stehen verantwortlich, unabhängig ob ein Anspruch im Zusammenhang mit einem Vertrag, der Garantie oder der Gewährleistung erhoben werden. Horizon wird darüber hinaus keine Ansprüche aus einem Garantiefall akzeptieren, die über den individuellen Wert des Produktes hinaus gehen. Horizon hat keinen Einfluss auf den Einbau, die Verwendung oder die Wartung des Produktes oder etwaiger Produktkombinationen, die vom Käufer gewählt werden. Horizon übernimmt keine Garantie und akzeptiert keine Ansprüche für in der Folge auftretende Verletzungen oder Beschädigungen. Mit der Verwendung und dem Einbau des Produktes akzeptiert der Käufer alle aufgeführten Garantiebestimmungen ohne Einschränkungen und Vorbehalte.

Wenn Sie als Käufer nicht bereit sind, diese Bestimmungen im Zusammenhang mit der Benutzung des Produktes zu akzeptieren, werden Sie gebeten, das Produkt in unbenutztem Zustand in der Originalverpackung vollständig bei dem Verkäufer zurückzugeben.

Sicherheitshinweise — Dieses ist ein hochwertiges Hobby Produkt und kein Spielzeug. Es muss mit Vorsicht und Umsicht eingesetzt werden und erfordert einige mechanische wie auch mentale Fähigkeiten. Ein Versagen, das Produkt sicher und umsichtig zu betreiben kann zu Verletzungen von Lebewesen und Sachbeschädigungen erheblichen Ausmaßes führen. Dieses Produkt ist nicht für den Gebrauch durch Kinder ohne die Aufsicht eines Erziehungsberechtigten vorgesehen. Die Anleitung enthält Sicherheitshinweise und Vorschriften sowie Hinweise für die Wartung und den Betrieb des Produktes. Es ist unabdingbar, diese Hinweise vor der ersten Inbetriebnahme zu lesen und zu verstehen. Nur so kann der falsche Umgang verhindert und Unfälle mit Verletzungen und Beschädigungen vermieden werden.

Fragen, Hilfe und Reparaturen — Ihr lokaler Fachhändler und die Verkaufsstelle können eine Garantiebeurteilung ohne Rücksprache mit Horizon nicht durchführen. Dies gilt auch für Garantiereparaturen. Deshalb kontaktieren Sie in einem solchen Fall den Händler, der sich mit Horizon kurz schließen wird, um eine sachgerechte Entscheidung zu fällen, die Ihnen schnellst möglich hilft.

Wartung und Reparatur — Muss Ihr Produkt gewartet oder repariert werden, wenden Sie sich entweder an Ihren Fachhändler oder direkt an Horizon.

Rücksendungen / Reparaturen werden nur mit einer von Horizon vergebenen RMA Nummer bearbeitet. Diese Nummer erhalten Sie oder Ihr Fachhändler vom technischen Service. Mehr Informationen dazu erhalten Sie im Serviceportal unter www.Horizonhobby.de oder telefonisch bei dem technischen Service von Horizon.

Packen Sie das Produkt sorgfältig ein. Beachten Sie, dass der Originalkarton in der Regel nicht ausreicht, um beim Versand nicht beschädigt zu werden. Verwenden Sie einen Paketdienstleister mit einer Tracking Funktion und Versicherung, da Horizon bis zur Annahme keine Verantwortung für den Versand des Produktes übernimmt. Bitte legen Sie dem Produkt einen Kaufbeleg bei, sowie eine ausführliche Fehlerbeschreibung und eine Liste aller eingesetzten Einzelkomponenten. Weiterhin benötigen wir die vollständige Adresse, eine Telefonnummer für Rückfragen, sowie eine Email Adresse.

Garantie und Reparaturen — Garantieanfragen werden nur bearbeitet, wenn ein Originalkaufbeleg von einem autorisierten Fachhändler beiliegt, aus dem der Käufer und das Kaufdatum hervorgeht. Sollte sich ein Garantiefall bestätigen wird das Produkt repariert oder ersetzt. Diese Entscheidung obliegt einzig Horizon Hobby.

Kostenpflichtige Reparaturen — Liegt eine kostenpflichtige Reparatur vor, erstellen wir einen Kostenvoranschlag, den wir Ihrem Händler übermitteln. Die Reparatur wird erst vorgenommen, wenn wir die Freigabe des Händlers erhalten. Der Preis für die Reparatur ist bei Ihrem Händler zu entrichten. Bei kostenpflichtigen Reparaturen werden mindestens 30 Minuten Werkstattzeit und die Rückversandkosten in Rechnung gestellt. Sollten wir nach 90 Tagen keine Einverständniserklärung zur Reparatur vorliegen haben, behalten wir uns vor, das Produkt zu vernichten oder anderweitig zu verwerten.

ACHTUNG: Kostenpflichtige Reparaturen nehmen wir nur für Elektronik und Motoren vor. Mechanische Reparaturen, besonders bei Hubschraubern und RC-Cars sind extrem aufwendig und müssen deshalb vom Käufer selbst –vorgenommen werden.

Garantie und Service Kontaktinformationen

Land des Kauf	Horizon Hobby	E-mail Adresse / Telefon	Adresse
EU	Horizon Technischer Service Sales: Horizon Hobby GmbH	service@horizonhobby.de +49 (0) 4121 2655 100	Hanskampring 9 D 22885 Barsbüttel, Germany

Rechtliche Informationen Für Die Europäische Union

EU Konformitätserklärung: **Pro Boat Recoil 2 26 Self Righting Deep V Brushless, RTR (PRB08041)**

Hiermit erklärt Horizon Hobby, LLC, dass das Gerät den folgenden Richtlinien entspricht: EU-Richtlinie über Niederspannung 2014/35/EU; EU-Richtlinie über elektromagnetische Verträglichkeit 2014/30/EU; EU-Richtlinie über Funkanlagen 2014/53/EU; RoHS 2-Richtlinie 2011/65 / EU; RoHS 3-Richtlinie - Änderung 2011/65 / EU-Anhang II 2015/863.

Der vollständige Text der EU-Konformitätserklärung ist unter folgender Internetadresse abrufbar: <https://www.horizonhobby.com/content/support-render-compliance>.

HINWEIS: Dieses Produkt enthält Batterien, die unter die europäische Richtlinie 2006/66 / EG fallen und nicht mit dem Hausmüll entsorgt werden können. Bitte beachten Sie die örtlichen Vorschriften.

Drahtloser Frequenzbereich und Drahtlose Ausgangsleistung:

Sender:

2408–2475MHz
19.62 dBm

Offizieller EU-Hersteller:

Horizon Hobby, LLC
2904 Research Road
Champaign, IL 61822 USA

Offizieller EU-Importeur:

Horizon Hobby, GmbH
Hanskampring 9
22885 Barsbüttel Germany

WEEE-HINWEIS:



Dieses Gerät ist gemäß der Europäischen Richtlinie 2012/19/EU über Elektro- und Elektronik-Altgeräte (WEEE) gekennzeichnet. Dieses Symbol weist darauf hin, dass dieses Produkt kein normaler Haushaltsabfall ist, sondern in einer entsprechenden Sammelstelle für Elektro- und Elektronik-Altgeräte entsorgt werden muss.

REMARQUE

Les instructions, garanties et autres documents associés sont soumis à des modifications à la seule discrétion d'Horizon Hobby, LLC. Pour obtenir les documents à jour du produit, consultez le site www.horizonhobby.com ou www.towerhobbies.com et cliquez sur l'onglet d'aide ou de ressources pour ce produit.


SIGNIFICATION DE CERTAINS TERMES SPÉCIFIQUES

Les termes suivants servent, tout au long de la littérature produits, à désigner différents niveaux de blessures potentielles lors de l'utilisation de ce produit :

AVERTISSEMENT : procédures qui, si elles ne sont pas suivies correctement, peuvent entraîner des dégâts matériels, des dommages collatéraux et des blessures graves OU engendrer une probabilité élevée de blessure superficielle.

ATTENTION : procédures qui, si elles ne sont pas suivies correctement, peuvent entraîner des dégâts matériels ET des blessures graves.

REMARQUE : procédures qui, si elles ne sont pas suivies correctement, peuvent entraîner des dégâts matériels ET éventuellement un faible risque de blessures.

 **AVERTISSEMENT** : Lisez la TOTALITE du manuel d'utilisation afin de vous familiariser avec les caractéristiques du produit avant de le faire fonctionner. Une utilisation incorrecte du produit peut avoir comme résultat un endommagement du produit lui-même, celui de propriétés personnelles voire entraîner des blessures graves.

Ceci est un produit de loisirs perfectionné et NON PAS un jouet. Il doit être manipulé avec prudence et bon sens et requiert quelques aptitudes de base à la mécanique. L'incapacité à manipuler ce produit de manière sûre et responsable peut provoquer des blessures ou des dommages au produit ou à d'autres biens. Ce produit n'est pas destiné à être utilisé par des enfants sans la surveillance directe d'un adulte. Ne pas essayer de désassembler le produit, de l'utiliser avec des composants incompatibles ou d'en améliorer les performances sans l'approbation de Horizon Hobby, LLC. Ce manuel comporte des instructions de sécurité, d'utilisation et d'entretien. Il est capital de lire et de respecter toutes les instructions et avertissements du manuel avant l'assemblage, le réglage ou l'utilisation afin de le manipuler correctement et d'éviter les dommages ou les blessures graves.

14 ans et plus. Ceci n'est pas un jouet.

Précautions et Avertissements Supplémentaires Liés à la Sécurité

En tant qu'utilisateur de ce produit, il relève de votre seule responsabilité de le faire fonctionner de façon à préserver votre sécurité ainsi que celle des autres personnes et de manière à ne pas endommager le produit ni à occasionner de dégâts matériels à l'égard d'autrui.

- Toujours tenir le bateau par l'avant quand vous le manipulez et/ou transportez afin d'éloigner de vous les parties mobiles.
- Maintenez toujours une distance de sécurité adéquate dans toutes les directions autour de votre modèle afin d'éviter les collisions et blessures. Ce modèle est contrôlé par un signal radio, qui peut être soumis à des interférences provenant de nombreuses sources hors de votre contrôle. Les interférences sont susceptibles d'entraîner une perte de contrôle momentanée.
- Faites toujours fonctionner votre modèle dans des espaces dégagés, à l'écart des véhicules, de la circulation et des personnes.


- Respectez toujours scrupuleusement les instructions et avertissements relatifs à votre modèle et à tous les équipements complémentaires optionnels utilisés (chargeurs, packs de batteries rechargeables, etc.).
- Tenez toujours tous les produits chimiques, les petites pièces et les composants électriques hors de portée des enfants.
- Évitez toujours d'exposer à l'eau tout équipement non conçu et protégé à cet effet. L'humidité endommage les composants électroniques.
- Ne mettez jamais aucune partie du modèle dans votre bouche. Vous vous exposeriez à un risque de blessure grave, voire mortelle.
- Ne faites jamais fonctionner votre modèle lorsque les batteries de l'émetteur sont faibles.

Bateau équipé d'une électronique étanche

Votre nouveau bateau Horizon Hobby a été conçu et fabriqué en combinant des composants étanches et des composants résistants à l'eau vous permettant d'utiliser ce produit en eau douce par conditions calmes.

Bien que le bateau possède une grande résistance vis à vis de l'eau, il n'est pas entièrement étanche et votre bateau ne doit PAS être immergé comme un sous-marin. Les différents composants électroniques dans le bateau comme le ou les servo(s) et le récepteur sont étanches, cependant la plupart des composants mécaniques résistent aux projections d'eau mais nécessitent une maintenance après utilisation.

Les pièces métalliques comme les roulements, les axes, les vis, les écrous, l'hélice, le gouvernail, le support de gouvernail et la chaise d'hélice ainsi que les contacts des prises des câbles électriques sont exposés à l'oxydation si vous n'effectuez un entretien soigné après avoir utilisé le bateau. Pour conserver à long terme les performances de votre bateau et conserver la garantie, les procédures décrites dans la section « Maintenance après utilisation » doivent être systématiquement effectuées à la fin de chaque journée d'utilisation.

 **ATTENTION** : Un défaut de soin durant l'utilisation et un non-respect des consignes suivantes peut entraîner un dysfonctionnement du produit et/ou annuler la garantie.



Précautions générales

- Lisez avec attention les procédures de maintenance et vérifiez que vous possédez tous les outils nécessaires pour effectuer la maintenance du bateau.
- Toutes les batteries ne peuvent être utilisées en conditions humides. Consultez la documentation du fabricant de votre batterie avant utilisation. L'utilisation de batteries Li-Po dans des conditions humides nécessite une attention particulière.
- La majorité des émetteurs ne résistent pas aux projections d'eau. Consultez le manuel ou le fabricant de votre émetteur avant utilisation.
- N'utilisez jamais votre émetteur ou votre bateau sous un orage.
- L'eau salée est très conductrice et corrosive. Si vous décidez d'utiliser votre bateau en eau salée, rincez-le à l'eau douce immédiatement après utilisation. L'utilisation du bateau en eau salée est sous l'entière responsabilité de l'utilisateur.

Maintenance après utilisation

- Evacuez l'eau présente dans la coque en retirant le bouchon d'évacuation ou le couvercle et en inclinant le bateau dans la direction appropriée pour assurer l'évacuation de l'eau.

⚠ ATTENTION : Tenez toujours vos mains, doigts, outils ou autre objet suspendu éloignés des parties en rotation.

- Retirez la batterie et séchez ses contacts. Si vous possédez un compresseur d'air ou une bombe d'air compressé, chassez toute l'humidité qui se trouve dans la prise.
- Retirez le flexible et toutes les parties mobiles. Séchez et lubrifiez les éléments après toutes les 30 minutes d'utilisation ou si le bateau s'est retrouvé immergé.

REMARQUE : N'utilisez jamais un nettoyeur haute pression pour nettoyer le bateau.

- Utilisez un compresseur d'air ou une bombe d'air compressée pour sécher le bateau et vous aider à retirer l'eau logée dans les recoins et sur la visserie.
- Pulvérisez du lubrifiant anti-humidité sur les roulements, la visserie et autres pièces métalliques.
- Laissez le bateau sécher avant de le ranger. L'eau (et l'huile) peut continuer à s'écouler durant quelques heures.

Avertissements relatifs à la charge

⚠ AVERTISSEMENT : Une erreur d'attention ou un non respect des consignes durant l'utilisation de ce produit peut entraîner un dysfonctionnement, une surchauffe, un INCENDIE et dans dans le pire des cas, des blessures et des dégâts matériels.

- **NE LAISSEZ JAMAIS DES BATTERIES EN CHARGE SANS SURVEILLANCE.**
- **NE CHARGEZ JAMAIS DES BATTERIES DURANT LA NUIT.**
- Ne tentez pas de charger des batteries endommagées ou humides.
- Ne chargez jamais une batterie contenant différents types d'éléments.
- Ne laissez jamais un enfant de moins de 14 ans utiliser seul le chargeur.
- Ne chargez pas les batteries dans des lieux aux températures extrêmes ou en plein soleil.
- Ne chargez pas une batterie dont les câbles sont endommagés.
- Ne branchez pas le chargeur si son câble d'alimentation est endommagé.
- Ne tentez jamais de démonter ou d'utiliser un chargeur endommagé.
- Toujours utiliser des batteries rechargeables conçues pour ce type de chargeur.
- Toujours contrôler l'état de la batterie avant de la charger.
- Toujours tenir la batterie éloignée de tout matériau pouvant être affecté par la chaleur.

- Surveiller la zone de charge en permanence et toujours avoir un extincteur à portée de main.
- Toujours arrêter la charge si le chargeur ou la batterie deviennent très chauds ou que la batterie commence à se déformer.
- Respectez toujours les polarités: rouge (+) et noir (-).
- Débranchez toujours la batterie après le chargement et laissez le chargeur refroidir entre les charges.
- Toujours charger les batteries dans un endroit bien aéré/ventilé.
- Toujours terminer les processus et contactez le service Technique Horizon Hobby si le produit fait objet de dysfonctionnements.
- Chargez uniquement les batteries rechargeables. Si vous chargez des piles non rechargeables, celles-ci pourraient exploser et provoquer des dommages corporels et/ou matériels.
- La prise USB sera installée près de l'équipement et sera facilement accessible.

⚠ ATTENTION : Ne laissez jamais le chargeur sans surveillance, ne dépassez jamais la capacité de charge maximale, ne chargez jamais des batteries non conçue pour ce chargeur. Un non respect de cette consigne peut entraîner une surchauffe, un incendie avec risque de blessures corporelles.

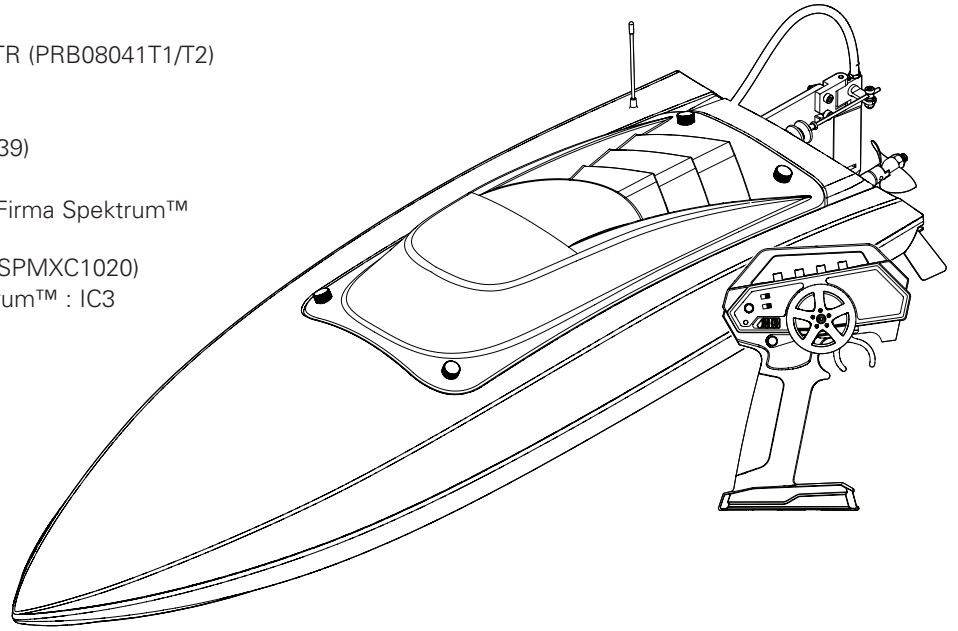
⚠ ATTENTION : Toujours vérifier que les caractéristiques de la batterie correspondent au chargeur. Un non respect de cette consigne peut entraîner une surchauffe ou un dysfonctionnement du produit pouvant entraîner des dégâts matériels ou des blessures corporelles.

Contenu de la boîte

- Pro Boat® Recoil 2® 26-Inch Self-Righting Deep-V RTR (PRB08041T1/T2)
- Variateur ESC marin Spektrum™ 100 A (SPMXME1A)
- Récepteur 4 canaux Horizon (HRZ00016)
- Servo 5,3 kg 4,826 V étanche et analogique (PRB18039)
- Émetteur Horizon multi-modèle LT (HRZ00020)
- Moteur marin à cage tournante sans balais 2 300 Kv Firma Spektrum™ (SPMXMM1200)
- Chargeur Smart Spektrum™ S120 USB-C, 1 x 20 W (SPMXC1020)
- Batterie Li-Po Smart 11,1 V 3200 mAh 3S 30C Spektrum™ : IC3 (SPMX32003S30)

Outils et matériaux recommandés

- Papier absorbant
- Alcool dénaturé
- Clé plate: 10mm (1), 12mm (1)
- Clé à douille hexagonale: 5,5mm, 7mm
- Clé BTR: 2mm, 2,5mm
- Ruban adhésif transparent (DYNAM0102)
- Graisse marine et pistolet Dynamite (DYNE4200)
- Bande auto-agrippante résistante à l'eau (4 pièces) (DYNK0300)
- Chiffons propres



Caractéristiques

Longueur	660mm
Hauteur	146mm
Largeur	202mm
Coque	ABS

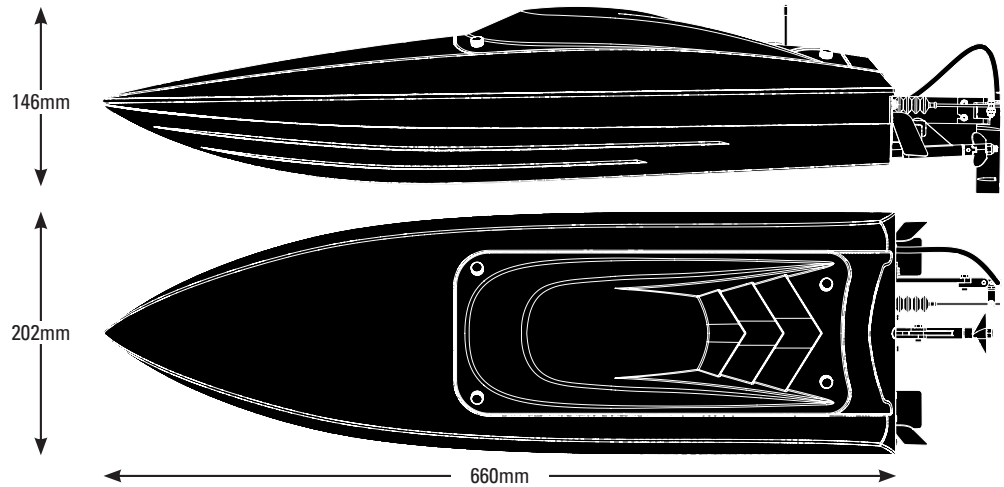
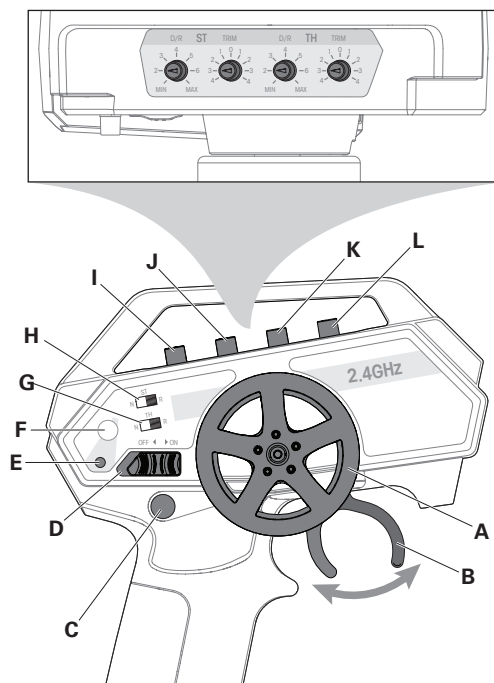


Table des matières

Précautions et Avertissements Supplémentaires Liés à la Sécurité	27	Conseils de navigation.....	33
Bateau équipé d'une électronique étanche.....	27	Maintenance.....	33
Précautions générales.....	28	Inspection de l'hélice	33
Maintenance après utilisation.....	28	Circuit de refroidissement.....	34
Avertissements relatifs à la charge	28	Entretien de l'arbre flexible.....	34
Contenu de la boîte	29	Informations générales.....	35
Outils et matériaux recommandés.....	29	Affectation.....	35
Caractéristiques.....	29	Failsafe	35
Fonctions de l'émetteur	30	Pièces de rechange	35
Installation du tube d'antenne.....	30	Pièces optionnelles	35
Installation de la batterie	31	Guide de dépannage	36
Coupe basse tension (LVC)	31	Garantie et Réparations.....	37
Test de portée radio	31	Coordonnées de Garantie et Réparations	38
Démarrage.....	32	Information de IC.....	38
Après la navigation	32	Informations de Conformité Pour L'Union Européenne.....	14
En cas de retournement.....	32		

Fonctions de l'émetteur

- A. **Volant de direction** Commande la direction (gauche/droite) du modèle
- B. **Gâchette des gaz** Contrôle la puissance et la direction du moteur (marche avant/frein/arrière)
- C. **DEL** Commande l'allumage et l'extinction des lumières (Si équipé)
- D. **Interrupteur ON/OFF** Commande l'alimentation de l'émetteur
- E. **Indications des DELs**
 - **DEL rouge fixe**—Indique la connexion de la radio et la tension adéquate des piles
 - **DEL rouge clignotante**—Indique une tension trop faible. Remplacez les piles
- F. **CH 3** Active la fonction de redressement automatique
- G. **TH REV** Inverse le fonctionnement de la commande des gaz quand la gâchette est pressée ou poussée
- H. **ST REV** Inverse le fonctionnement de la direction quand le volant est tourné à gauche ou à droite
- I. **ST Rate** Permet de régler la fin de course de la direction
- J. **ST Trim** Permet de régler le neutre de la direction
- K. **TH Rate** Permet de régler la fin de course des gaz
- L. **TH Trim** Permet de régler le neutre des gaz



Installation des piles de l'émetteur

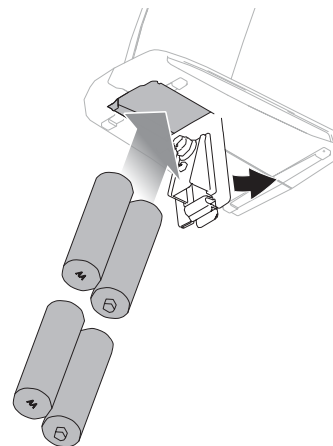
Cet émetteur nécessite 4 piles AA (**non inclus**).

1. Retirez le couvercle du compartiment à piles.
2. Insérez les piles comme sur l'illustration.
3. Remplacez le couvercle.

ATTENTION : Ne retirez jamais les piles de l'émetteur lorsque le modèle est sous tension. Une perte de contrôle du modèle, des dommages ou des blessures peuvent survenir.

ATTENTION: Si vous utilisez des piles rechargeables, chargez seulement des piles rechargeables. La charge de piles non rechargeables peut causer un incendie, entraînant des blessures corporelles et/ou des dégâts matériels.

ATTENTION: Risque d'explosion si la batterie est remplacée par un type de batterie non conforme. Éliminer les piles usagées selon les réglementations nationales.

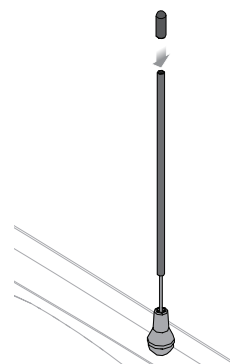


Installation du tube d'antenne

Glissez l'antenne dans le tube comme sur l'illustration. Ne tordez pas le bout de l'antenne sur le tube antenne avant de mettre le bouchon par dessus. L'antenne n'a pas besoin d'être à l'extérieur du tube pour fonctionner correctement.

Placez toujours l'extrémité de l'antenne au dessus de la ligne de flottaison du bateau afin d'assurer la meilleure réception. Vous pouvez utiliser de l'adhésif transparent (DYNAM0102) si vous le souhaitez.

REMARQUE : Ne coupez ou torsadez jamais l'antenne sous peine de l'endommager.



Installation de la batterie

1. Desserrer les 4 vis de la verrière.
2. Soulever doucement la verrière de la coque.
3. Installez la batterie dans le support de batterie.
4. Raccordez la batterie aux connecteurs d'alimentation du variateur ESC.
5. Avant de placer votre bateau sur l'eau, sécurisez le couvercle du cockpit à la coque en utilisant de l'adhésif transparent (DYNM0102).

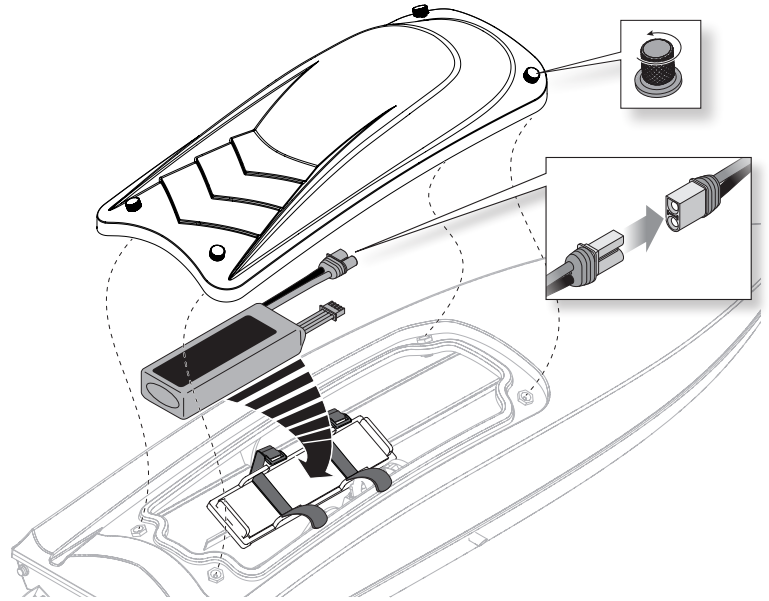
CONSEIL : Placez la verrière à plat sur la coque et fixez les deux vis avant de manière simultanée. Puis fixez simultanément les deux vis arrière. Cela permet d'éviter de fausser le filetage et d'endommager les vis à oreilles et/ou les inserts filetés.

CONSEIL : Commencer avec les batteries aussi éloignées que possible, en les déplaçant de 13 mm (1/2 po) à chaque fois vers la poupe jusqu'à ce que le bateau atteigne la vitesse maximale.

Disposition des batteries

- **Vers la proue :** Dans les eaux agitées ou par grand vent, placez la batterie à l'avant du support afin d'assurer une stabilité.
- **Centrée :** Dans les eaux calmes et par vent faible, déplacez la batterie vers l'arrière de la coque afin de permettre à la proue de se soulever pour augmenter la vitesse. Notez que le fait de placer la batterie plus en arrière augmente la probabilité pour le bateau de se renverser en pleine vitesse ou de devenir instable.

- **Vers la poupe :** Une batterie placée vers l'arrière du support peut permettre d'atteindre des vitesses plus élevées, mais également créer une instabilité. Essayez cette disposition seulement sur des eaux très calmes tout en surveillant en permanence les réactions de la coque lorsque vous accélérez.



Coupeure basse tension (LVC)

The factory default setting for the LVC in the ESC included with your boat is set at 3.2V per cell. La décharge d'une batterie Li-Po en dessous de 3V par élément l'endommagera. Le contrôleur installé dans le bateau protège la batterie d'une décharge trop importante en utilisant la fonction de coupeure basse tension. Avant que la batterie ne se décharge à un niveau trop faible, la coupeure par tension faible (LVC) coupe l'alimentation fournie au moteur.

Le bateau ralentit considérablement ou s'arrête entièrement une fois que la coupeure par tension faible (LVC) est activée. La libération puis la réactivation des gaz fournira une quantité limitée d'énergie pour pouvoir ramener le bateau sur la rive. Une utilisation répétée après l'activation de la coupeure par tension faible (LVC) endommagera les batteries.

Après l'activation de la coupeure par tension faible (LVC), la lumière d'état du variateur ESC clignotera fortement en rouge pour indiquer que le variateur ESC est en mode de coupeure par tension faible (LVC).

REMARQUE : Une utilisation répétée jusqu'à l'enclenchement du LVC risque d'endommager la batterie.

La coupeure par tension faible (LVC) s'activera prématurément si vous utilisez (1) des batteries de catégorie C à faible décharge ou (2) des batteries anciennes, usées et/ou faibles.

Le temps de fonctionnement moyen, en utilisant les batteries recommandées (SPMX32003S30)—est de 3 à 4 minutes sans interruption à pleins gaz. Un temps de fonctionnement limité peut indiquer des batteries usées ou faibles.

CONSEIL : Si vous avez installé des batteries venant d'être chargées, et que la coupeure par tension faible (LVC) s'active avant la première minute de fonctionnement, remplacez les batteries usées ou faibles par des batteries recommandées.

CONSEIL : Mesurez la tension des batteries avant et après utilisation à l'aide d'un voltmètre Li-Po (SPMXBC100, vendu séparément).

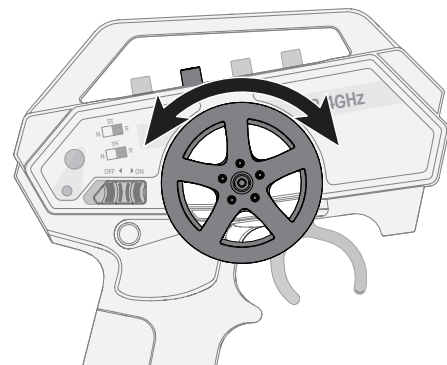
Toujours déconnecter et retirer la batterie du bateau après utilisation afin de limiter l'auto-décharge de la batterie. Chargez la batterie à la moitié de sa capacité maximale avant de l'entreposer. Durant le stockage, contrôlez que la tension ne chute pas sous 3V par élément. Le LVC ne permet pas d'éviter l'auto-décharge de la batterie durant le stockage.

Test de portée radio

IMPORTANT : Effectuez un test de portée radio au début de chaque session, ou après avoir effectué une réparation ou après avoir remplacé la batterie de réception.

Assurez-vous que la batterie est complètement chargée.

1. Avec le système radio activé et connecté, éloignez-vous d'environ 32m du bateau.
2. Demandez à un assistant de rester à côté du bateau pour contrôler la réponse aux commandes de direction aux ordres envoyés par l'émetteur.
3. Si tout fonctionne correctement, vous pouvez vous préparer à utiliser le bateau sur l'eau.

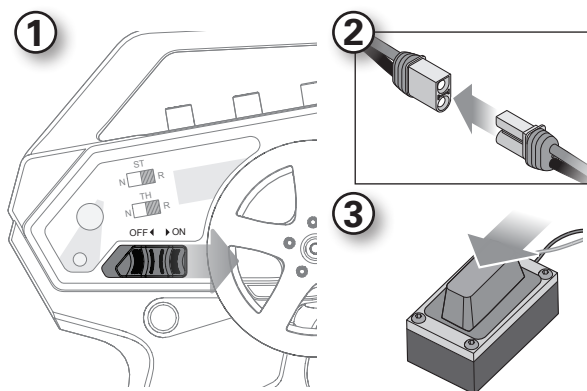


Démarrage

1. Mettez l'émetteur sous tension.

IMPORTANT : Vérifiez que les cavaliers du contrôleur correspondent bien au type de batterie.

2. Connectez la batterie aux prises IC3 du récepteur.
3. Mettez le contrôleur sous tension.
4. Testez les commandes en plaçant le bateau sur son ber.



Après la navigation

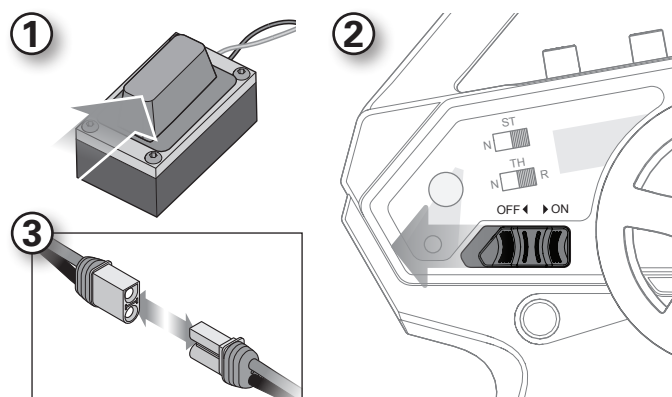
1. Mettez le contrôleur hors tension.
2. Mettez l'émetteur hors tension.
3. Déconnectez et retirez la batterie du bateau.

CONSEIL : Toujours ranger le bateau avec le cockpit ouvert afin d'éviter la formation de moisissure à l'intérieur de la coque.

4. Vidanger l'eau présente dans la coque en retirant le bouchon d'évacuation.
5. Sécher totalement l'intérieur et l'extérieur de la coque, incluant le circuit de refroidissement et le bloc de refroidissement du moteur. Séchez bien les câbles de la batterie, du moteur et du récepteur en les débranchant un à un avant de les rebrancher.
6. Ouvrez le cockpit pour ranger votre bateau.
7. Réparez toutes les pièces endommagées ou usées de votre bateau.
8. Lubrifiez le flexible sur toute sa longueur jusqu'à l'entraîneur en utilisant de la graisse marine ProBoat (DYNE4200, DYNE4201).
9. Prenez note des leçons liées au réglage de votre bateau, notamment par rapport à l'état de l'eau et au vent.
10. Remettez en place la protection du gouvernail pour protéger les bouts pointus du gouvernail.

REMARQUE : Quand la navigation est terminée, ne laissez pas le bateau en plein soleil. Ne rangez pas le bateau dans un endroit chaud et fermé comme une voiture. Sous peine d'endommager le bateau.

REMARQUE : L'utilisation d'une hélice de diamètre et de pas supérieurs à l'hélice fournie d'origine endommagera l'électronique et les batteries.

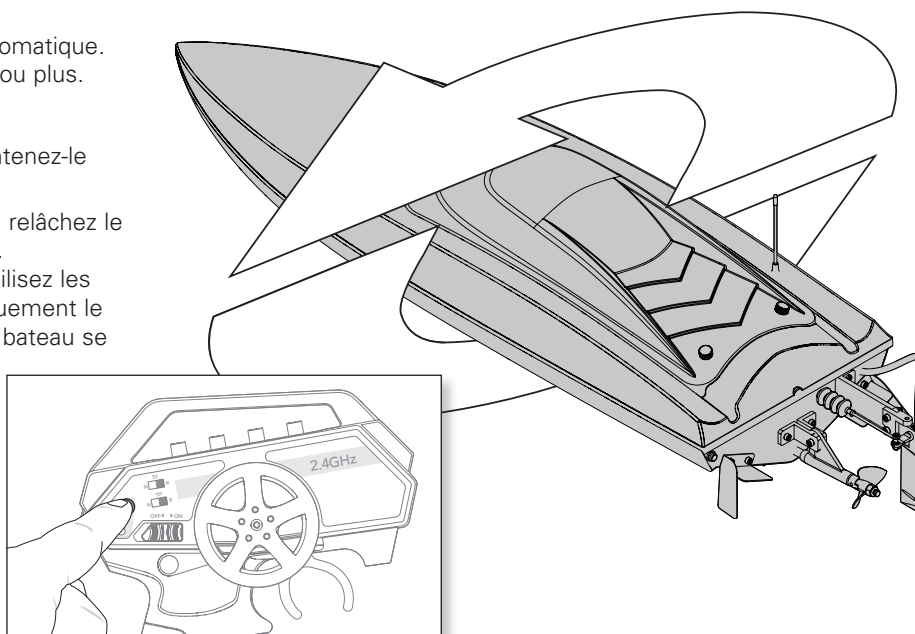


En cas de retournement

Le Recoil 2 comprend une fonction de redressement automatique. Cette fonction est plus efficace à la moitié de puissance ou plus.

Pour activer la fonction de redressement automatique :

1. Appuyez sur le bouton Ch3 de votre émetteur et maintenez-le enfoncé et le bateau se redresse automatiquement.
2. Une fois que le bateau a basculé en position verticale, relâchez le bouton Ch3 pour reprendre le fonctionnement normal. Si vous êtes en dessous de la moitié de puissance, utilisez le gaz et freinez normalement pour redresser automatiquement le bateau. Pulsez les gaz et freinez alternativement et le bateau se redresse automatiquement.



Conseils de navigation

Pour la première navigation, nous vous recommandons des conditions calmes pour garantir un bon réglage de votre bateau. Vous pouvez atteindre la vitesse maximale de 35 MPH/+ une fois que vous avez effectué tous les réglages adéquats à vos conditions de navigation. La vitesse maximale sera également déterminée par la capacité de la batterie à alimenter efficacement le moteur depuis le variateur ESC.

Consultez les réglementations locales avant de choisir un plan d'eau pour faire naviguer le bateau.

1. Placez délicatement le bateau dans l'eau.
2. Faites fonctionner le bateau à vitesse réduite près de la rive. Évitez toujours les éventuels objets qui se trouvent dans l'eau. Quand votre bateau navigue en marche avant, contrôlez qu'il y a bien de l'eau qui sort par l'évacuation du circuit de refroidissement.
3. Quand vous maîtriserez le bateau à vitesse réduite, vous pouvez éloigner le bateau de la rive et augmenter la vitesse.
4. Rapprochez immédiatement le bateau de la rive quand le moteur commence à émettre des pulsations.

REMARQUE : Ne faites jamais naviguer le bateau dans moins de 30,5cm de profondeur d'eau.

ATTENTION : N'allez jamais chercher un bateau en difficulté à la nage. Ramenez le bateau à la berge en utilisant du matériel de pêche ou un autre bateau.

REMARQUE : Lorsque vous naviguez à pleine vitesse sur des eaux agitées, l'hélice peut sortir et rentrer dans l'eau de manière répétitive et rapide ce qui la soumet à des contraintes élevées. La fréquence répétée de ces contraintes peut endommager l'hélice et l'arbre de transmission.

Lorsque vous naviguez sur des eaux agitées et avec du vent, pensez à :

- placer vos batteries à l'avant pour plus de stabilité
- régler les chaises d'hélice pour éviter le retournement

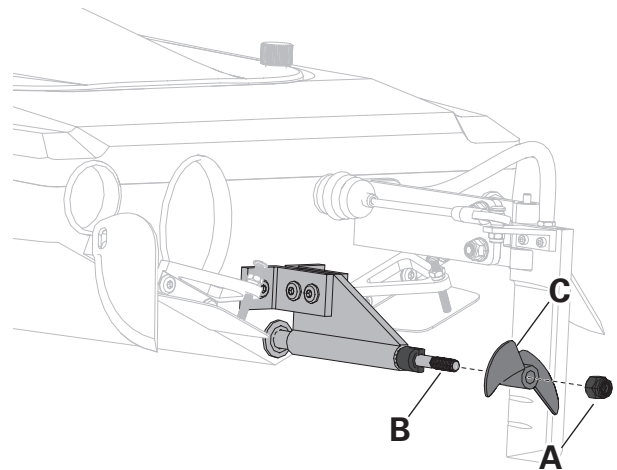
Ne pas naviguer à proximité :

- De Jet-skis
- Du public (zone de baignade et de pêche)
- D'objets fixes
- De vagues ou du sillage d'un bateau
- De forts courants
- De la faune sauvage
- D'objets dérivants
- D'arbres surplombants
- De la végétation

Maintenance

Inspection de l'hélice

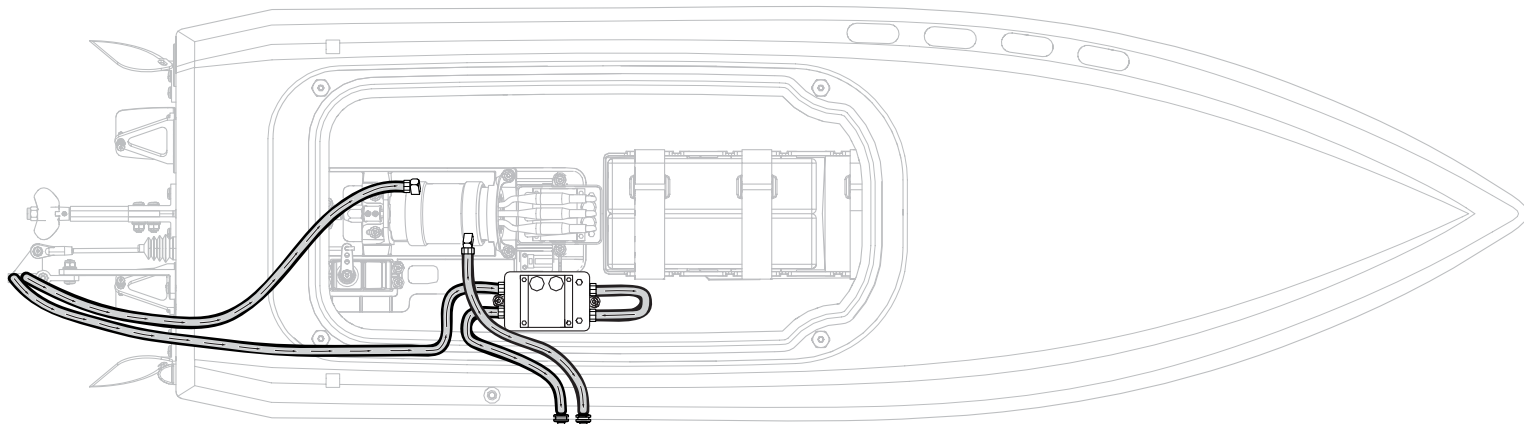
1. Utilisez une clé à écrou de 5.5mm pour desserrer l'écrou (A) de l'axe (B).
2. Retirez l'écrou et l'hélice (C) de l'arbre de transmission.
3. Vérifiez que l'hélice ne présente pas de dommages ou signes d'usure. Remplacez si nécessaire.
4. L'assemblage s'effectue en ordre inverse. Alignez correctement l'hélice par rapport à l'entraîneur.



Circuit de refroidissement

Si de l'eau ne sort pas de l'évacuation d'eau droite pendant que le bateau avance, arrêter immédiatement le bateau et nettoyer l'obstruction du système de refroidissement de l'eau.

1. Démontez le circuit de refroidissement pour le nettoyer et ainsi éviter les risques de surchauffe.
2. Remplacez les éléments endommagés.



IMPORTANT : assurez-vous que les orifices de sortie de refroidissement par eau sont bien fixés sur la partie extérieure de la coque. Le non-respect de cette consigne peut entraîner une entrée excessive d'eau dans la coque.

ATTENTION : Utiliser une batterie de moins de 11,1 V ne fournira pas assez d'impulsion pour activer le système de refroidissement de l'eau et endommagera les composants électroniques à cause d'un excès de chaleur.

Entretien de l'arbre flexible

Lubrifier l'arbre flexible est essentiel pour assurer une durée de vie optimale du groupe motopropulseur. Ce processus permet de retirer l'eau du système, empêchant ainsi la corrosion qui cause une augmentation de la friction, une baisse de la performance et une réduction de la durée de vie du produit. Le lubrifiant agit également comme un joint hydraulique, empêchant l'eau d'entrer dans la coque par le tube de remplissage.

Effectuez l'entretien de l'arbre flexible après chaque utilisation.

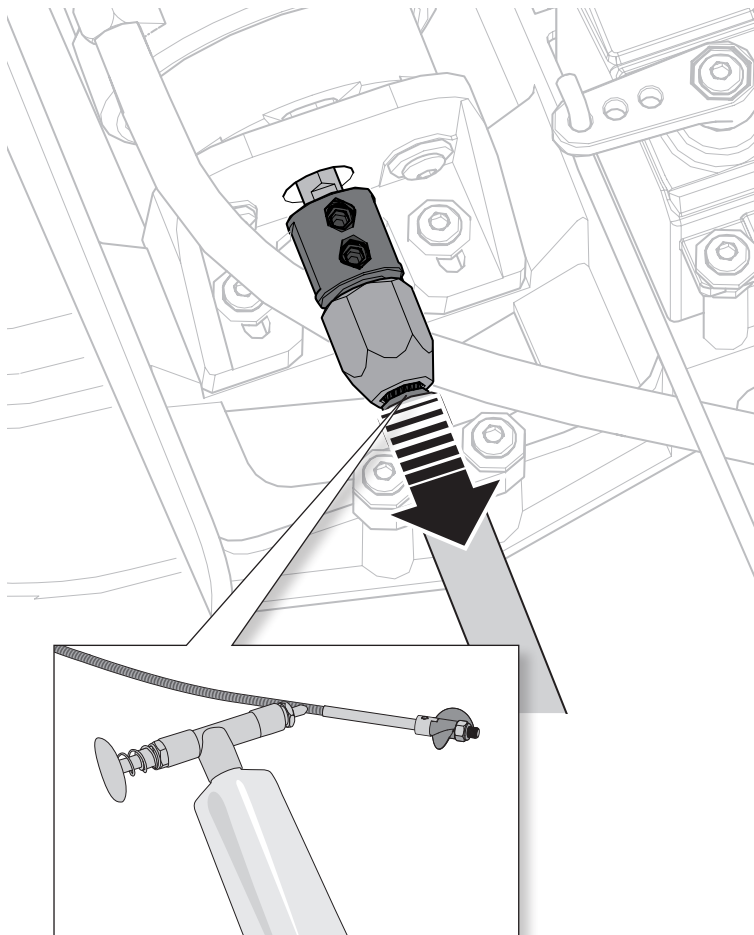
1. Mettez le bateau hors tension et retirez la batterie.
2. À l'aide de deux clés de 10 mm, desserrez le coupleur de l'arbre flexible.
3. Faites glisser l'arbre flexible vers l'arrière du bateau.
4. À l'aide d'un chiffon ou de papier absorbant, retirez l'ancien lubrifiant et la matière.
5. Appliquez une quantité généreuse de lubrification sur l'arbre flexible et étalez-la autour de l'ensemble de l'arbre. Assurez-vous qu'il y a suffisamment de lubrifiant sur l'arbre pour qu'aucune zone ne soit sèche.

REMARQUE : Lors de la lubrification de l'arbre flexible, ne lubrifiez pas les premiers 20 mm de l'arbre flexible. Si la graisse entre dans le coupleur moteur, l'arbre flexible peut glisser dans le coupleur, il sera endommagé et vous devrez le remplacer.

6. Faites glisser l'arbre flexible dans le hauban de l'hélice et dans le tube de remplissage. Faites-le tourner pour étaler la graisse à l'intérieur du tube de remplissage, en s'assurant qu'il y a un espace d'1-2 mm entre le hauban de l'hélice et le toc d'entraînement. Cela laissera de l'espace pour l'arbre car il rétrécit sous la charge. Sans espace, le toc d'entraînement peut endommager le hauban de l'hélice en aluminium.

REMARQUE : Assurez-vous que l'arbre flexible est installé correctement. Une mauvaise installation de l'arbre flexible peut causer des dégâts irréparables au bateau.

7. Serrez le coupleur à l'aide des deux clés de 10 mm.

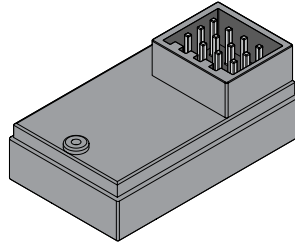


Informations générales

Affectation

L'affectation est le processus de programmation du récepteur à reconnaître le code GUID (Identifiant unique) spécifique à votre émetteur. **L'émetteur et le récepteur ont été affectés en usine.**

Si vous avez besoin de ré-effectuer l'affectation, suivez les étapes suivantes :



1. Appuyez et maintenez le bouton AUX 3 sur l'émetteur.
2. Mettez l'émetteur sous tension.
3. Mettez le récepteur sous tension.
Le récepteur clignotera pour indiquer l'affectation automatique.

4. Redémarrez l'émetteur en le mettant hors tension puis en le mettant sous tension. La LED reste fixe, indiquant que l'affectation est terminée.

Vous devez ré-effectuer une affectation quand :

- Vous changez le sens de rotation des servos et que vous souhaitez changer les positions de failsafe.
- Vous affectez le récepteur à d'autres émetteurs.

REMARQUE : Ne tentez pas d'affecter un émetteur et un récepteur s'il y a d'autres émetteur compatibles sont en mode affectation dans un rayon de 120m. Si vous ne respectez pas cette consigne, vous risquez de ne pas être affecté au bon émetteur.

Failsafe

Dans l'hypothèse fortement improbable d'une perte de la liaison radio en cours d'utilisation (peut être à cause de piles trop faibles ou d'une distance trop importante entre le récepteur et l'émetteur), le récepteur va maintenir la dernière commande du gouvernail et couper

les gaz. Si le récepteur est allumé avant l'émetteur, le récepteur entre en mode de sécurité intégrée, amenant les servos à leurs positions de sécurité pré-réglées. Une fois que l'émetteur est mis sous tension, les commandes redeviennent normales.

Pièces de rechange

Numéro de référence	Description
HRZ00016	Récepteur Pro Boat Horizon
HRZ00020	Émetteur Horizon multi-modèle LT V2
PRB18039	Servo 5,3 kg 4,826 V étanche et analogique
PRB281101	Coque et verrière, canicule : Recoil 2
PRB281102	Dérives de rotation et volets compensateurs : Recoil 2
PRB281103	Ensemble de la gouverne : Recoil 2
PRB281129	Coque et verrière, Shreddy : Recoil 2
PRB282082	Arbre flexible : Recoil 2
PRB282084	Tube de remplissage : Recoil 2
PRB282085	Hélice, Aluminium : Recoil 2
PRB286075	Vis de serrage de la verrière (4) :Recoil 2
PRB286076	Unités de refroidissement par eau : Recoil 2
PRB286077	Ensemble tige de gouvernail : Recoil 2
PRB286078	Ensemble de joints de la coque : Recoil 2
PRB286079	Sangles de support composite :Recoil 2
PRB286080	Support du moteur : Recoil 2
PRB286081	Coupleur du moteur : Recoil 2
PRB286082	Ensemble de haubans de l'hélice : Recoil 2
SPMXME1A	Variateur ESC marin sans balais 100 A, 3S-4S
SPMXMM1200	Moteur marin à cage tournante sans balais 2 300 Kv Firma
SPMX32003S30	Batterie Li-Po Smart 3200 mAh 3S 30C : IC3

Pièces optionnelles

Numéro de référence	Description
DYN4403	Indicateur de vitesse GPS 2.0
DYNE4200	Pistolet graisseur avec graisse marine, 142 g
DYNM0102	Ruban adhésif marin flexible (18 m)
DYNT0502	Ensemble d'outils de démarrage : Pro Boat
PRB282008	Hélice, Composite, 40,6 mm × 40,6 mm pour arbre 4,5 mm
SPM2340	Émetteur DX3 Smart 3 canaux avec récepteur SR315
SPMR5115	Émetteur DSMR Smart 5 canaux DX5C uniquement
SPMS605	Servo de surface S605 9 kg étanche et analogique, 23T
SPMS612HV	Servo numérique à engrenage métallique étanche 12 kg S612HV
SPMS614	Servo de surface étanche à engrenages métalliques S614, 23T
SPMS614S	Servo étanche à engrenage en acier 15 kg S614S, 23T
SPMSLT300	Système radio SLT à 3 canaux SLT3 avec double protocole SR315
SPMSR315	Récepteur sport DSMR à 3 canaux SR315
SPMX32003S30	Batterie Li-Po Smart 11,1 V 3200 mAh 3S 30C : IC3
SPMX32004S30	Batterie Li-Po Smart 14,8 V 3200 mAh 4S 30C : IC3
SPMX324S100	Batterie Li-Po G2 Smart 14,8V 3200 mAh 4S 100C : IC3
SPMX324S50	Batterie Li-Po G2 Smart 14,8V 3200 mAh 4S 50C : IC3
SPMX40003S30	Batterie Li-Po Smart 11,1 V 4000 mAh 3S 30C : IC3
SPMXBC100	Contrôleur pour batterie Li-Po Smart XBC100 et servomoteur
SPMXC1070	Chargeur Smart S150 CA/CC, 1 x 50 W
SPMXC2040	Chargeur Smart 1 x 400 W c.a. G2 S1400



Guide de dépannage

Problème	Cause possible	Solution
Le bateau ne répond pas à la commande des gaz mais répond aux autres commandes	La voie des gaz est inversée	Inversez la voie des gaz sur l'émetteur
Vibration ou bruit excessif	Hélice, arbre ou moteur endommagés	Remplacez les pièces endommagées
	L'hélice est déséquilibrée	Équilibrez l'hélice ou remplacez-la
Temps de navigation réduit ou manque de puissance du bateau	La charge de la batterie du bateau est faible	Rechargez complètement la batterie
	La batterie du bateau est endommagée	Remplacez la batterie du bateau et suivez les instructions correspondantes
	Blocage ou friction sur l'arbre ou l'hélice	Démontez les pièces, lubrifiez-les et alignez-les correctement
	Il fait peut-être trop froid pour naviguer	Contrôlez que la batterie est tiède (au dessus de 10°C) avant utilisation
	La capacité de la batterie est peut-être trop faible pour les conditions de navigation	Changez la batterie ou utilisez une batterie dont la capacité est plus importante
	L'entraîneur d'hélice est trop proche de la chaise d'hélice	Desserrez l'accouplement moteur et tirez légèrement le Arbre de transmission vers l'arrière
	Arbre de transmission n'est pas assez lubrifié	Lubrifiez bien Arbre de transmission
Il est impossible d'affecter le bateau à l'émetteur (durant l'affectation)	De la végétation ou d'autres obstacles bloquent le gouvernail de direction ou l'hélice	Retirez la végétation ou les éléments coincés dans le gouvernail ou l'hélice
	L'émetteur est trop proche du bateau lors du processus d'affectation	Éloignez un peu l'émetteur allumé du bateau, déconnectez la batterie de celui-ci, puis reconnectez-la
	Le bateau ou l'émetteur sont trop près d'un objet métallique de grande taille ou d'un réseau sans fil	Déplacez le bateau et l'émetteur à distance de cet objet
	La prise d'affectation n'est pas correctement insérée	Insérez la prise d'affectation et affectez le bateau à l'émetteur
	La charge de la batterie du bateau ou de l'émetteur est trop faible	Remplacez ou rechargez les batteries
Échec de la liaison entre le bateau et l'émetteur (après affectation)	Interrupteur du contrôleur en position OFF	Mettez le contrôleur sous tension
	L'émetteur est trop proche du bateau lors du processus de liaison	Éloignez un peu l'émetteur allumé du bateau, déconnectez la batterie de celui-ci, puis reconnectez-la
	Le bateau ou l'émetteur sont trop près d'un objet métallique de grande taille, d'un réseau sans fil ou d'un autre émetteur	Déplacez le bateau et l'émetteur à distance de cet objet
	La prise d'affectation est restée dans le récepteur	Refaites l'affectation et retirez la prise d'affectation avant de redémarrer le récepteur
	La charge de la batterie du bateau ou de l'émetteur est trop faible	Remplacez ou rechargez les batteries
	L'émetteur a été probablement affecté à un modèle différent (utilisant un protocole DSM différent)	Affectez le bateau à l'émetteur
Le bateau tend à plonger dans l'eau ou prend l'eau	Interrupteur du contrôleur en position OFF	Mettez le contrôleur sous tension
	La coque du bateau n'est pas complètement fermée	Faites sécher le bateau et vérifiez que la fermeture entre le panneau d'écouille et la coque est bien étanche avant de remettre le bateau à l'eau
Le bateau a tendance à tourner dans une direction	Le centre de gravité est trop à l'avant du bateau	Déplacez les batteries vers l'arrière dans la coque
	Le trim de direction ou le gouvernail de direction n'est pas centré	Réparez le gouvernail de direction ou ajustez-le ainsi que le trim de direction pour que le bateau aille tout droit quand la commande est au point neutre

Problème	Cause possible	Solution
Le gouvernail ne pivote pas	Le gouvernail, la liaison ou le servo est endommagé	Réparez ou remplacez les pièces endommagées et réglez les commandes
	Le câble est endommagé ou les connexions sont lâches	Contrôlez les câbles et les connexions, et procédez aux connexions et remplacements nécessaires
	L'émetteur n'est pas bien affecté ou un modèle incorrect est sélectionné	Procédez de nouveau à l'affectation ou sélectionnez le bon modèle sur l'émetteur
	Le circuit d'élimination de batterie (BEC) du contrôleur électronique de vitesse est endommagé	Remplacez le contrôleur électronique de vitesse
	Interrupteur du contrôleur en position OFF	Mettez le contrôleur sous tension
Les commandes sont inversées	Les réglages de l'émetteur sont inversés	Procédez au test de contrôle de la direction et réglez correctement les commandes sur l'émetteur
Surchauffe du moteur ou du contrôleur électronique de vitesse	Les durites du système de refroidissement à eau sont bouchés	Nettoyez ou remplacez les durites
L'alimentation du moteur fait entendre des impulsions, puis le moteur perd en puissance	Il fait peut-être trop froid pour naviguer	Attendez que le temps se réchauffe
	La batterie est ancienne, usée ou endommagée	Remplacez la batterie

Garantie et Réparations

Durée de la Garantie — Garantie exclusive - Horizon Hobby, LLC (Horizon) garantit que le Produit acheté (le « Produit ») sera exempt de défauts matériels et de fabrication à sa date d'achat par l'Acheteur. La durée de garantie correspond aux dispositions légales du pays dans lequel le produit a été acquis. La durée de garantie est de 6 mois et la durée d'obligation de garantie de 18 mois à l'expiration de la période de garantie.

Limitations de la garantie — (a) La garantie est donnée à l'acheteur initial (« Acheteur ») et n'est pas transférable. Le recours de l'acheteur consiste en la réparation ou en l'échange dans le cadre de cette garantie. La garantie s'applique uniquement aux produits achetés chez un revendeur Horizon agréé. Les ventes faites à des tiers ne sont pas couvertes par cette garantie. Les revendications en garantie seront acceptées sur fourniture d'une preuve d'achat valide uniquement. Horizon se réserve le droit de modifier les dispositions de la présente garantie sans avis préalable et révoque alors les dispositions de garantie existantes.

(b) Horizon n'endosse aucune garantie quant à la vendabilité du produit ou aux capacités et à la forme physique de l'utilisateur pour une utilisation donnée du produit. Il est de la seule responsabilité de l'acheteur de vérifier si le produit correspond à ses capacités et à l'utilisation prévue.

(c) Recours de l'acheteur – Il est de la seule discrétion d'Horizon de déterminer si un produit présentant un cas de garantie sera réparé ou échangé. Ce sont là les recours exclusifs de l'acheteur lorsqu'un défaut est constaté.

Horizon se réserve la possibilité de vérifier tous les éléments utilisés et susceptibles d'être intégrés dans le cas de garantie. La décision de réparer ou de remplacer le produit est du seul ressort d'Horizon. La garantie exclut les défauts esthétiques ou les défauts provoqués par des cas de force majeure, une manipulation incorrecte du produit, une utilisation incorrecte ou commerciale de ce dernier ou encore des modifications de quelque nature qu'elles soient.

La garantie ne couvre pas les dégâts résultant d'un montage ou d'une manipulation erronés, d'accidents ou encore du fonctionnement ainsi que des tentatives d'entretien ou de réparation non effectuées par Horizon. Les retours effectués par le fait de l'acheteur directement à Horizon ou à l'une de ses représentations nationales requièrent une confirmation écrite.

Limitation des dommages — Horizon ne saurait être tenu pour responsable de dommages conséquents directs ou indirects, de pertes de revenus ou de pertes commerciales, liés de quelque manière que ce soit au produit et ce, indépendamment du fait qu'un recours puisse être formulé en relation avec un contrat, la garantie ou l'obligation de garantie. Par ailleurs, Horizon n'acceptera pas de recours issus d'un cas de garantie lorsque ces recours dépassent la valeur unitaire du produit. Horizon n'exerce aucune influence sur le montage, l'utilisation ou la maintenance du produit ou sur d'éventuelles combinaisons de produits choisies par l'acheteur. Horizon ne prend en compte aucune garantie et n'accepte aucun recours pour les blessures ou les dommages pouvant en résulter. Horizon Hobby ne saurait être tenu responsable d'une utilisation ne respectant pas les lois, les règles ou réglementations en vigueur.

En utilisant et en montant le produit, l'acheteur accepte sans restriction ni réserve toutes les dispositions relatives à la garantie figurant dans le présent document. Si vous n'êtes pas prêt, en tant qu'acheteur, à accepter ces dispositions en relation avec l'utilisation du produit, nous vous demandons de restituer au vendeur le produit complet, non utilisé et dans son emballage d'origine.

Indications relatives à la sécurité — Ceci est un produit de loisirs perfectionné et non un jouet. Il doit être utilisé avec précaution et bon sens et nécessite quelques aptitudes mécaniques ainsi que mentales. L'incapacité à utiliser le produit de manière sûre et raisonnable peut provoquer des blessures et des dégâts matériels conséquents. Ce produit n'est pas destiné à être utilisé par des enfants sans la surveillance par un tuteur. La notice d'utilisation contient des indications relatives à la sécurité ainsi que des indications concernant la maintenance et le fonctionnement du produit. Il est absolument indispensable de lire et de comprendre ces indications avant la première mise en service. C'est uniquement ainsi qu'il sera possible d'éviter une manipulation erronée et des accidents entraînant des blessures et des dégâts. Horizon Hobby ne saurait être tenu responsable d'une utilisation ne respectant pas les lois, les règles ou réglementations en vigueur.

Questions, assistance et réparations — Votre revendeur spécialisé local et le point de vente ne peuvent effectuer une estimation d'éligibilité à l'application de la garantie sans avoir consulté Horizon. Cela vaut également pour les réparations sous garantie. Vous voudrez bien, dans un tel cas, contacter le revendeur qui conviendra avec Horizon d'une décision appropriée, destinée à vous aider le plus rapidement possible.

Maintenance et réparation — Si votre produit doit faire l'objet d'une maintenance ou d'une réparation, adressez-vous soit à votre revendeur spécialisé, soit directement à Horizon. Emballez le produit soigneusement. Veuillez noter que le carton d'emballage d'origine ne suffit pas, en règle générale, à protéger le produit des dégâts pouvant survenir pendant le transport. Faites appel à un service de messagerie proposant une fonction de suivi et une assurance, puisque Horizon ne prend aucune responsabilité pour l'expédition du produit jusqu'à sa réception acceptée. Veuillez joindre une preuve d'achat, une description détaillée des défauts ainsi qu'une liste de tous les éléments distincts envoyés. Nous avons de plus besoin d'une adresse complète, d'un numéro de téléphone (pour demander des renseignements) et d'une adresse de courriel.

Garantie et réparations — Les demandes en garantie seront uniquement traitées en présence d'une preuve d'achat originale émanant d'un revendeur spécialisé agréé, sur laquelle figurent le nom de l'acheteur ainsi que la date d'achat. Si le cas de garantie est confirmé, le produit sera réparé. Cette décision relève uniquement de Horizon Hobby.

Réparations payantes — En cas de réparation payante, nous établissons un devis que nous transmettons à votre revendeur. La réparation sera seulement effectuée après que nous ayons reçu la confirmation du revendeur. Le prix de la réparation devra être acquitté au revendeur. Pour les réparations payantes, nous facturons au minimum 30 minutes de travail en atelier ainsi que les frais de réexpédition. En l'absence d'un accord pour la réparation dans un délai de 90 jours, nous nous réservons la possibilité de détruire le produit ou de l'utiliser autrement.

ATTENTION: Nous n'effectuons de réparations payantes que pour les composants électroniques et les moteurs. Les réparations touchant à la mécanique, en particulier celles des hélicoptères et des voitures radiocommandées, sont extrêmement coûteuses et doivent par conséquent être effectuées par l'acheteur lui-même.

10/15

Coordonnées de Garantie et Réparations

Pays d'achat	Horizon Hobby	Adresse E-mail / Téléphone	Adresse
EU	Horizon Technischer Service Sales: Horizon Hobby GmbH	service@horizonhobby.de +49 (0) 4121 2655 100	Hanskampring 9 D 22885 Barsbüttel, Germany

Information de IC

IC: 25584-HYMG400

CAN ICES-3 (B)/NMB-3(B)

Le présent appareil est conforme aux CNR d'Industrie Canada applicables aux appareils radio exempts de licence. L'exploitation est autorisée aux deux conditions suivantes :

1. l'appareil ne doit pas produire de brouillage, et
2. l'utilisateur de l'appareil doit accepter tout brouillage radioélectrique subi, même si le brouillage est susceptible d'en compromettre le fonctionnement.

Informations de Conformité Pour L'Union Européenne



Déclaration de conformité de l'Union européenne :
Pro Boat Recoil 2 26 Self Righting
Deep V Brushless, RTR (PRB08041)

Par la présente, Horizon Hobby, LLC déclare que cet appareil est conforme aux directives suivantes : Directive basse tension 2014/35/UE ; Directive CEM 2014/30/UE ; Directive relative aux équipements radioélectriques 2014/53/UE ; Directive RoHS 2 2011/65/UE ; Directive RoHS 3 - Modifiant 2011/65/UE Annexe II 2015/863.

Le texte complet de la déclaration de conformité UE est disponible à l'adresse Internet suivante : <https://www.horizonhobby.com/content/support-render-compliance>.

REMARQUE : Ce produit contient des batteries couvertes par la directive européenne 2006/66 / EC, qui ne peuvent pas être jetées avec les déchets ménagers. Veuillez respecter les réglementations locales.

Gamme de fréquences sans fil et Puissance de sortie sans fil :

Émetteur :

2408–2475MHz
19.62 dBm

Fabricant officiel de l'UE :

Horizon Hobby, LLC
2904 Research Road
Champaign, IL 61822 USA

Importateur officiel de l'UE :

Horizon Hobby, GmbH
Hanskampring 9
22885 Barsbüttel Germany

DIRECTIVE DEEE :



L'étiquette de cet appareil respecte la directive européenne 2012/19/UE en matière de déchets des équipements électriques et électroniques (DEEE). Cette étiquette indique que ce produit ne doit pas être jeté avec les déchets ménagers, mais déposé dans une installation appropriée afin de permettre sa récupération et son recyclage.

AVVISO

Tutte le istruzioni, garanzie e altri documenti collaterali sono soggetti a modifica a esclusiva discrezione di Horizon Hobby, LLC. Per la documentazione aggiornata del prodotto, visitare www.horizonhobby.com oppure www.towerhobbies.com e cliccare sulla scheda relativa all'assistenza o alle risorse per il relativo prodotto.


SIGNIFICATO DEI TERMINI USATI

Nella documentazione relativa al prodotto vengono utilizzati i seguenti termini per indicare i vari livelli di pericolo potenziale durante l'uso del prodotto:

AVVERTENZA: indica procedure che, se non debitamente seguite, determinano il rischio di danni alle cose, danni collaterali e gravi lesioni alle persone O il rischio elevato di lesioni superficiali alle persone.

ATTENZIONE: indica procedure che, se non debitamente seguite, determinano il rischio di danni alle cose E di gravi lesioni alle persone.

AVVISO: indica procedure che, se non debitamente seguite, possono determinare il rischio di danni alle cose E il rischio minimo o nullo di lesioni alle persone.

 **AVVERTENZA:** leggere TUTTO il manuale di istruzioni e familiarizzare con le caratteristiche del prodotto prima di farlo funzionare. Un uso improprio del prodotto può causare danni al prodotto stesso e alle altre cose e gravi lesioni alle persone.

Questo è un prodotto sofisticato per appassionati di modellismo. Deve essere azionato in maniera attenta e responsabile e richiede alcune conoscenze basilari di meccanica. L'uso improprio o irresponsabile di questo prodotto può causare lesioni alle persone e danni al prodotto stesso o alle altre cose. Questo prodotto non deve essere utilizzato dai bambini senza la diretta supervisione di un adulto. Non tentare di smontare, utilizzare componenti incompatibili o modificare il prodotto in nessun caso senza previa approvazione di Horizon Hobby, LLC. Questo manuale contiene le istruzioni per la sicurezza, l'uso e la manutenzione del prodotto. È fondamentale leggere e seguire tutte le istruzioni e le avvertenze del manuale prima di montare, impostare o utilizzare il prodotto, al fine di utilizzarlo correttamente e di evitare di causare danni alle cose o gravi lesioni alle persone.

Limite minimo di età consigliato: non deve essere utilizzato dai minori di 14 anni. Non è un giocattolo.

Precauzioni di sicurezza e avvertenze

L'utente di questo prodotto è l'unico responsabile del corretto utilizzo del medesimo affinché non arrechi pericolo per sé e per gli altri e non danneggi il prodotto stesso o cose di altri.

- Maneggiare/trasportare il vostro scafo con cura prendendolo per la parte frontale in modo che tutte le parti mobili siano lontane da voi.
- Mantenere sempre un perimetro di sicurezza intorno al modello per evitare collisioni o lesioni. Questo modello funziona con comandi radio soggetti all'interferenza di altri dispositivi non controllabili dall'utente. L'interferenza può provocare una momentanea perdita di controllo.
- Utilizzare sempre il modello in spazi aperti liberi da veicoli, traffico e persone.
- Seguire sempre scrupolosamente le istruzioni e le avvertenze relative al modello e a tutti gli accessori (caricabatterie, pacchi batteria ricaricabili, ecc.).
- Tenere sempre le sostanze chimiche, i componenti di piccole dimensioni e i componenti elettrici fuori dalla portata dei bambini.
- Evitare sempre il contatto con l'acqua di tutti i dispositivi che non sono stati specificatamente progettati per funzionare in acqua e non sono adeguatamente protetti. L'umidità danneggia le parti elettroniche non protette.
- Non mettere in bocca alcun componente del modello poiché potrebbe causare lesioni gravi o persino la morte.
- Non azionare il modello se le batterie del trasmettitore sono poco cariche.

Scafo resistente all'acqua con elettronica waterproof

Il vostro nuovo scafo Horizon Hobby è stato sviluppato e costruito con una combinazione di componenti resistenti all'acqua ed impermeabili in modo da rendere il vostro scafo adatto per l'uso in acque calme e dolci.

L'intero scafo è resistente all'acqua, ma questo non significa che sia del tutto impermeabile e quindi NON deve essere usato come un sottomarino. Le diverse componenti tecniche dello scafo, come il regolatore di velocità (ESC), i servocomandi e la ricevente sono waterproof, mentre la maggior parte della meccanica è resistente all'acqua ma non impermeabile e quindi necessita di manutenzione aggiuntiva dopo l'uso dello scafo.

Le parti metalliche incluso i cuscinetti, perni, viti e dadi come anche l'elica, il timone, il supporto timone, i montanti elica ed i contatti elettrici sono suscettibili alla corrosione se non si esegue una manutenzione particolare dopo l'uso dello scafo in condizioni umide. Per prolungare la longevità del vostro scafo e per mantenere valida la garanzia bisogna effettuare regolarmente le procedure elencate sotto il punto "Manutenzione in condizioni umide."




ATTENZIONE: L'uso incauto di questo prodotto o il mancato rispetto delle seguenti precauzioni può portare ad un malfunzionamento del prodotto e/o invalidare la garanzia.

Precauzioni generali

- Leggere attentamente le procedure per la manutenzione in condizioni umide ed assicurarsi che tutti gli attrezzi necessari per la manutenzione corretta del vostro scafo siano a vostra disposizione.
- Non tutte le batterie sono adatte all'uso in condizioni umide. Consultare il produttore delle batterie prima dell'uso. Fare attenzione nell'uso di batterie LiPo in condizioni umide.
- La maggior parte delle trasmettenti non sono resistenti all'acqua. Consultare il manuale della trasmettente o il produttore prima dell'uso.
- Non usare mai la trasmettente o lo scafo nell'eventuale presenza di fulmini.
- L'acqua salata è molto conduttiva ed altamente corrosiva. Se usate il vostro scafo in acqua salata, sciacquare lo scafo direttamente dopo l'uso con acqua dolce. L'uso dello scafo in acqua salata sta alla discrezionalità del modellista stesso.


Avvertenze per la carica

 **AVVERTENZA:** Se non si utilizza questo prodotto con attenzione e non si osservano le seguenti avvertenze potrebbero verificarsi malfunzionamenti del prodotto, problemi elettrici, eccessivo sviluppo di calore, incendi e, in definitiva, lesioni e danni materiali.

- **NON LASCIARE MAI INCUSTODITE LE BATTERIE IN CARICA.**
- **NON CARICARE MAI LE BATTERIE DURANTE LA NOTTE.**
- Non tentare mai di caricare batterie fuori uso, danneggiate o bagnate.
- Non tentare di caricare un pacco batteria composto da batterie di tipo diverso.
- Non consentire ai minori di caricare i pacchi batteria.
- Non caricare mai le batterie in luoghi estremamente caldi o freddi o esposti alla luce diretta del sole.
- Non caricare mai una batteria se il cavo è schiacciato o in cortocircuito.
- Non collegare mai il caricabatterie se il cavo di alimentazione è schiacciato o in cortocircuito.
- Non tentare mai di smontare il caricabatterie o di utilizzare un caricabatterie danneggiato.
- Utilizzare sempre batterie ricaricabili progettate per l'utilizzo con questo tipo di caricabatterie.
- Controllare sempre la batteria prima di caricarla.
- Tenere sempre la batteria lontana da qualsiasi materiale che possa essere alterato dal calore.
- Controllare sempre la zona di ricarica e tenere in ogni momento un estintore a disposizione.

Manutenzione in condizioni umide

- Far defluire l'acqua dall'interno dello scafo rimuovendo il tappo di scarico o la capottina girando la barca nella direzione giusta per far defluire l'acqua.


 **ATTENZIONE:** Allontanare sempre le mani, le dita, gli attrezzi o qualsiasi oggetto pendente o mobile dalle parti rotanti.


- Togliere il pacco / i pacchi batteria e disconnettere l'ESC e il motore. Asciugare i contatti. Se avete a disposizione un compressore d'aria o una bomboletta d'aria compressa, rimuovere tutti i residui d'acqua dai connettori e dalla scatola radio.
- Rimuovere l'albero flessibile e tutte le parti mobili. Asciugare e lubrificare le parti dopo ogni 30 minuti d'uso o quando lo scafo è stato sommerso in acqua.

AVVISO: Non usare mai un'idropulitrice per pulire lo scafo.

- Usare un compressore d'aria o una bomboletta d'aria compressa per asciugare lo scafo e provare a rimuovere tutta l'acqua in piccole fessure o angoli.
- Spruzzare dell'olio leggero idrorepellente o del lubrificante sui cuscinetti, i supporti ed altre parti metalliche. Non spruzzarlo sul motore.
- Lasciare asciugare lo scafo all'aria prima di riporlo. Acqua (e olio) potrebbero continuare a gocciolare dallo scafo per alcune ore.

- Terminare sempre il processo di carica se le batterie scottano al tatto o iniziano a deformarsi (gonfiarsi) durante il procedimento di carica.
- Collegare sempre correttamente il cavo positivo (+) al rosso e il negativo (-) al nero.
- Finita la carica scollegare sempre la batteria e il caricabatterie e attendere che si raffreddino tra una carica e l'altra.
- Caricare sempre in aree ventilate.
- Interrompere sempre qualsiasi processo e rivolgersi a Horizon Hobby se il prodotto funziona male.
- Caricare solo batterie ricaricabili. Ricaricare batterie non ricaricabili comporta il rischio che queste possano esplodere, causando danni o lesioni a cose e/o persone.
- La presa USB deve essere installata nei pressi del dispositivo e facilmente accessibile.

 **ATTENZIONE:** Verificare sempre che la batteria sotto carica soddisfi le specifiche di questo caricabatterie e che le impostazioni del caricabatterie siano corrette. Non farlo potrebbe portare a un eccessivo calore e ad altre disfunzioni del prodotto, che potrebbero portare a lesioni per l'utente o a danni alla proprietà.

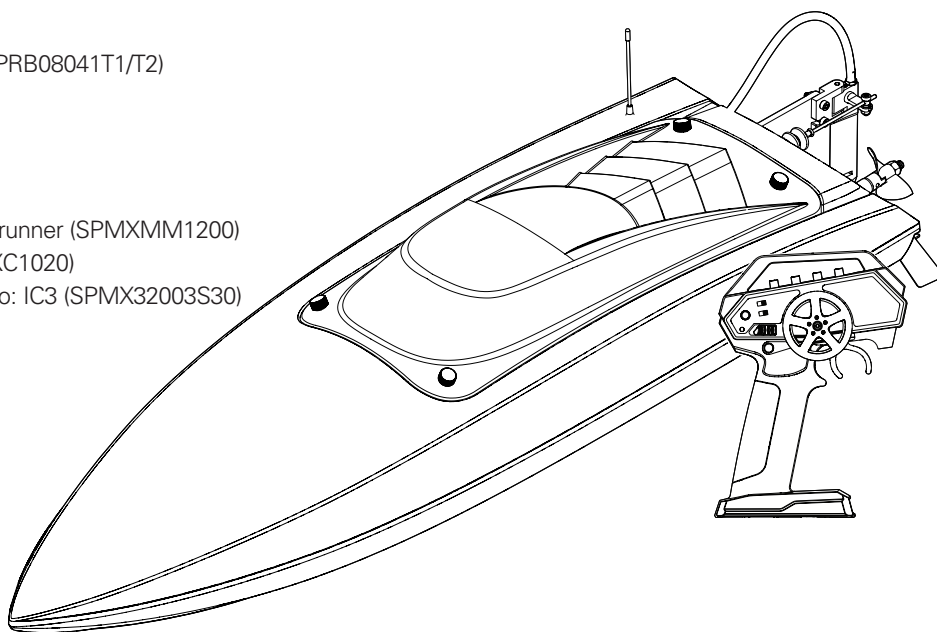
 **ATTENZIONE:** Se in qualsiasi momento durante la carica la batteria si surriscalda o inizia a deformarsi, scollegarla immediatamente e interrompere la carica, per evitare il rischio di incendio, danni collaterali e lesioni.

Contenuto della scatola

- Pro Boat® Recoil 2® 26-Inch Self-Righting Deep-V RTR (PRB08041T1/T2)
- Spektrum™ 100A Marine ESC (SPMXME1A)
- Ricevitore Horizon 4 canali (HRZ00016)
- Servo 5,3 kg 4,826 V WP Analogico (PRB18039)
- Trasmettente Horizon Multi Model LT (HRZ00020)
- Motore marino Spektrum™ Firma 2300Kv Brushless Outrunner (SPMXMM1200)
- Caricabatterie Spektrum™ S120 USB-C, 1 x 20 W (SPMXC1020)
- Batteria Spektrum™ 11,1 V 3200 mAh 3S 30C Smart LiPo: IC3 (SPMX32003S30)

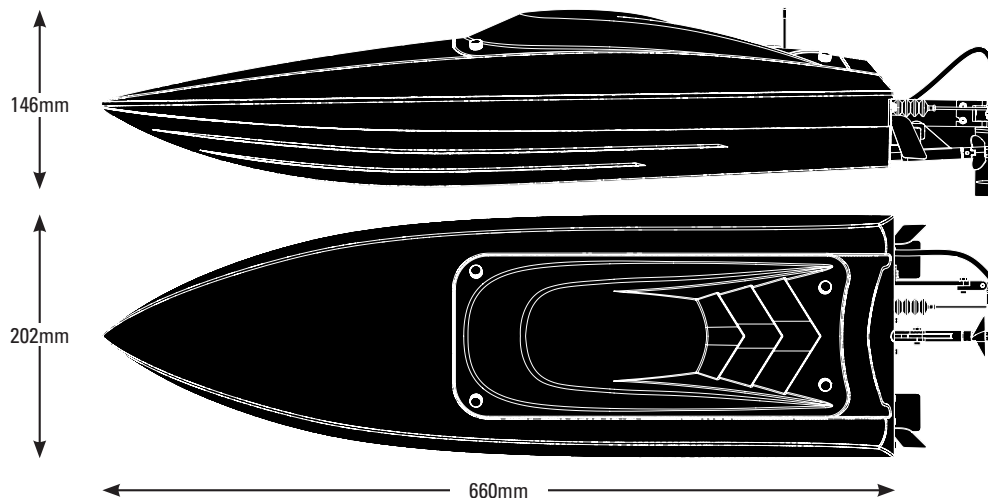
Attrezzatura e materiali consigliati

- Fazzoletto di carta
- Alcool denaturato
- Chiave aperta: 10mm (1), 12mm(1)
- Chiave per dadi: 5,5mm, 7mm
- Chiave esagonale: 2mm, 2,5mm
- Nastro trasparente (DYNM0102)
- Dynamite grasso marino con pistola (DYNE4200)
- Nastro a strappo, WP, 4 pezzi (DYNK0300)
- Tovaglioli puliti



Caratteristiche

Lunghezza	660mm
Altezza	146mm
Larghezza	202mm
Materiale scafo	ABS

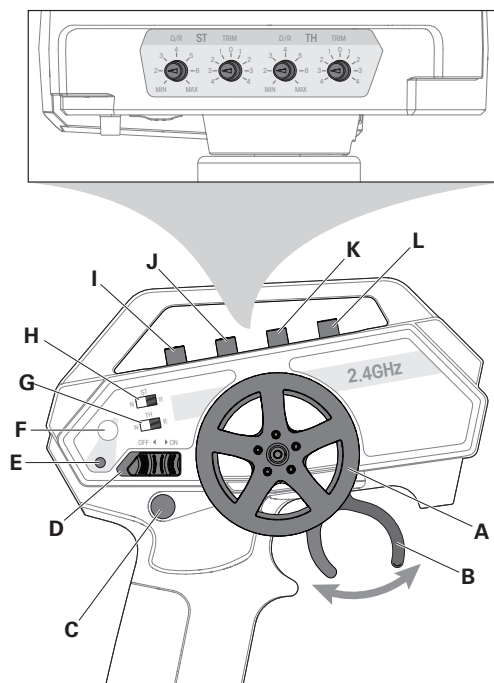


Indice

Precauzioni di sicurezza e avvertenze	39	Auto raddrizzamento.....	44
Scafo resistente all'acqua con elettronica waterproof	39	Consigli per la navigazione	45
Precauzioni generali.....	40	Manutenzione.....	45
Manutenzione in condizioni umide.....	40	Manutenzione dell'elica	45
Avvertenze per la carica.....	40	Sistema di raffreddamento ad acqua	46
Contenuto della scatola.....	41	Manutenzione dell'albero flessibile.....	46
Attrezzatura e materiali consigliati	41	Informazioni generali	47
Caratteristiche.....	41	Connessione	47
Funzioni della trasmettente.....	42	Failsafe	47
Installazione tubetto antenna.....	42	Pezzi di ricambio	47
Installazione della batteria	43	Pezzi opzionali.....	47
Spegnimento per bassa tensione (LVC).....	43	Guida alla risoluzione dei problemi.....	48
Prova della portata.....	43	Periodo di Garanzia	49
Per iniziare	44	Garanzia e Assistenza Informazioni per i Contatti	49
Quando si finisce.....	44	Informazioni Sulla Conformit Per L'Unione Europea	50

Funzioni della trasmittente

- A. **Volantino** Controlla la direzione (destra/sinistra) del modello
- B. **Grilletto** Comando motore, controlla la velocità e il senso di marcia (avanti/freno/indietro) del modello
- C. **LED** Controlla On/Off luci (se presente)
- D. **Interruttore ON/OFF** Accende o spegne la trasmittente
- E. **Luci di indicazione**
 - **Rosso fisso**—Indica la connettività della trasmittente e che le batterie forniscono un'alimentazione adeguata
 - **Rosso lampeggiante**—Segnala che le batterie sono quasi scariche. Sostituire le batterie
- F. **CH 3** Attiva la funzione di auto-raddrizzamento
- G. **TH REV** Inverte la funzione del regolatore avanti/indietro e viceversa
- H. **ST REV** Inverte il movimento dello sterzo da destra a sinistra e viceversa
- I. **ST Rate** Regola il fine corsa dello sterzo
- J. **ST Trim** Regola il punto centrale dello sterzo
- K. **TH Rate** Regola il fine corsa del motore
- L. **TH Trim** Regola il punto neutrale del motore



Installazione pile trasmettitore

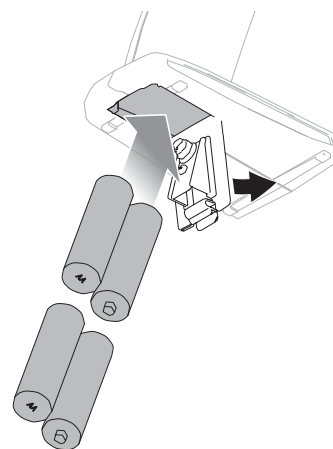
Per questo trasmettitore servono 4 pile AA (**non inclusa**).

1. Togliere il coperchio del portapile dal trasmettitore.
2. Inserire le pile come illustrato.
3. Rimettere a posto il coperchio del portapile.

ATTENZIONE: non rimuovere mai le batterie dal trasmettitore mentre il modello è acceso. Una perdita di controllo del modello, danni o lesioni potrebbe verificarsi.

ATTENZIONE: se si usano anche le batterie ricaricabili, si raccomanda di caricare solo queste. È pericoloso caricare le pile a secco perché potrebbero esplodere causando lesioni e/o danni.

ATTENZIONE: se le batterie vengono sostituite con tipi non adatti, potrebbero esplodere. Le batterie si devono smaltire nel modo corretto secondo le disposizioni locali.

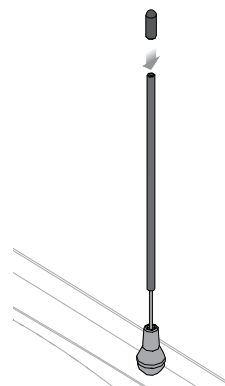


Installazione tubetto antenna

Inserire l'antenna del ricevitore nel suo tubetto come illustrato. Non piegare la punta dell'antenna sul tubetto dell'antenna e mettere il tappo del tubetto. L'antenna non deve stare al di fuori del tubetto per funzionare regolarmente.

Mantenere il terminale dell'antenna sopra alla linea di galleggiamento dello scafo per avere la migliore ricezione. Se lo si desidera, si può mettere del nastro trasparente (DYNAM0102).

AVVISO: non tagliare o piegare l'antenna del ricevitore altrimenti si potrebbero fare dei danni.



Installazione della batteria

1. Allentare le 4 viti della capottina.
2. Sollevare con cautela la capottina dallo scafo.
3. Installare la batteria nel vano batteria
4. Collegare la batteria ai connettori di alimentazione dell'ESC.
5. Prima di mettere lo scafo in acqua, fissare bene la capottina allo scafo. Se necessario mettere del nastro adesivo trasparente (DYNM0102).

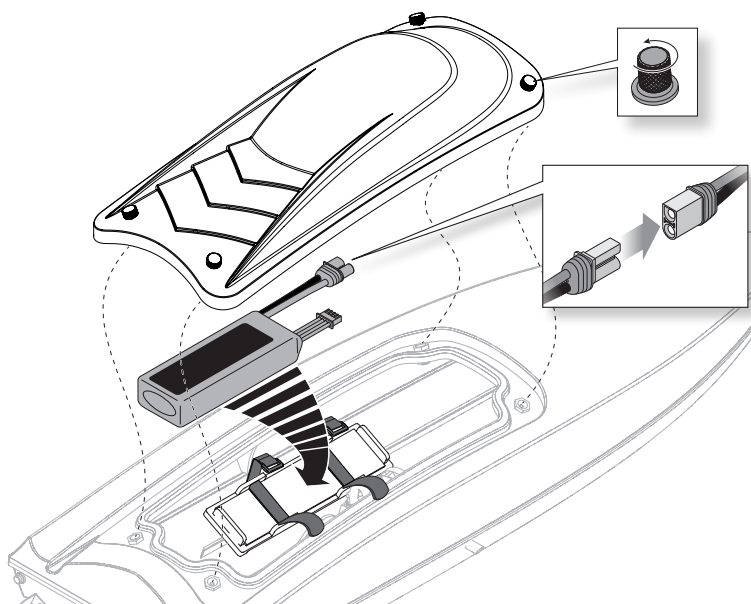
CONSIGLIO: Posizionare il tettuccio in piano sullo scafo e fissare le due viti anteriori simultaneamente. Poi fissare le due viti posteriori simultaneamente. Questo aiuta a prevenire che la filettatura entri di sbieco, danneggiando le viti e/o gli inserti filettati.

CONSIGLIO: iniziare sistemando le batterie il più avanti possibile, spostandole indietro di 13 mm (½ pollici) alla volta verso poppa fino a quando la barca raggiunge la velocità massima.

Posizionamento dei pacchi batteria

- **Verso la prua:** In condizioni di acqua mossa o vento forte, posizionare la batteria nella parte anteriore del vassoio per assicurare stabilità.
- **Al centro:** In condizioni di acqua calma e assenza di vento, spostare la batteria verso il retro dello scafo per consentire alla prua di sollevarsi di più e aumentare la velocità. Tenere presente che arretrando ulteriormente la batteria, si aumenta la probabilità che il motoscafo si capovolga per la velocità o diventi instabile.

- **Verso la poppa:** Collocare le batterie il più possibile verso il retro dei vassi consente maggiore velocità, ma può causare instabilità. Guidare lo scafo con le batterie in questa posizione soltanto in condizioni molto calme, sorvegliando attentamente il comportamento dello scafo mentre state aumentando la velocità.



Spegnimento per bassa tensione (LVC)

Le impostazioni predefinite in fabbrica per la funzione LVC nell'ESC incluso con la tua imbarcazione sono impostate su 3,2V per cella. Una batteria si può danneggiare se viene scaricata al di sotto di 3V per cella. L'ESC fornito protegge la batteria dello scafo da una sovrascarica usando la funzione LVC. Prima che la carica della batteria si riduce troppo, lo spegnimento per bassa tensione (LVC) interrompe l'alimentazione fornita al motore.

L'imbarcazione rallenta rapidamente o si arresta completamente una volta attivata la funzione LVC. Rilasciare la manetta e riapplicarla fornirà una quantità limitata di potenza per tornare in modo sicuro l'imbarcazione a riva. Un uso ripetuto dopo che la funzione LVC è attivata danneggerà le batterie.

Una volta attivata la funzione LVC, la spia di stato rossa dell'ESC lampeggia per allertare che l'ESC è in modalità LVC.

AVVISO: se l'LVC interviene ripetutamente, la batteria si potrebbe danneggiare.

La funzione LVC può attivarsi prematuramente se si usa (1) batterie a lento scaricamento, di tipo C o vecchie (2), usate e/o deboli.

Il tempo di funzionamento medio, usando le batterie consigliate (SPMX32003S30)—è tra 3-4 minuti a manetta aperta, non stop. Un tempo di funzionamento limitato può indicare batterie usate o deboli.

CONSIGLIO: Se sono appena state installate batterie cariche, e la funzione LVC si attiva entro il primo minuto di funzionamento, sostituire le batterie usate o deboli con le batterie consigliate.

CONSIGLIO: conviene controllare la tensione della batteria prima e dopo la navigazione usando un misuratore di tensione per batterie LiPo come il SPMXBC100 (venduto a parte).

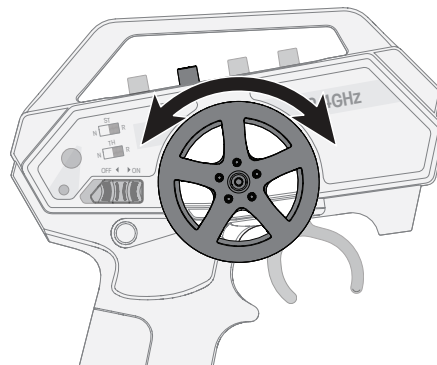
Dopo l'uso bisogna scollegare la batteria LiPo dallo scafo per evitare che si scarichi lentamente. Prima di mettere via la batteria conviene caricarla con metà della sua capacità. Ogni tanto bisogna però controllare che la tensione dei singoli elementi non scenda al di sotto dei 3V perché in questo caso l'LVC non può intervenire.

Prova della portata

IMPORTANTE: si raccomanda di fare una prova della portata all'inizio di ogni sessione di utilizzo o dopo una riparazione o una installazione di nuove batterie.

Accertarsi che la batteria sia completamente carica.

1. Con il radiocomando acceso e connesso, allontanarsi dallo scafo di circa 30m.
2. È utile avere un assistente che controlli che il timone risponda correttamente ai comandi inseriti nella trasmittente.
3. Se sembra che tutto funzioni bene, ci si può preparare a mettere lo scafo in acqua.

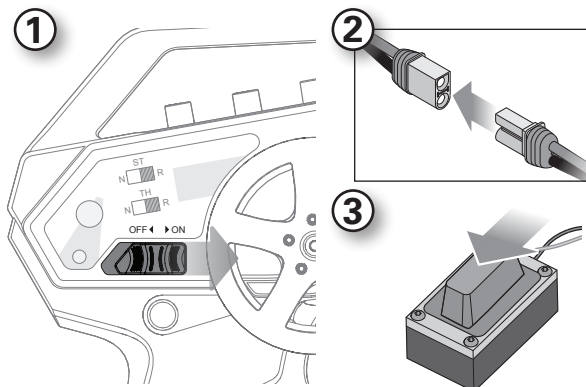


Per iniziare

1. Accendere il trasmettitore.

IMPORTANTE: verificare che i ponticelli sull'ESC corrispondano al tipo di batteria corretto.

2. Collegare la batteria ai connettori IC3 sulla ricevente.
3. Accendere la ricevente.
4. Appoggiando lo scafo sul suo supporto, controllare che tutti i comandi funzionino regolarmente.



Quando si finisce

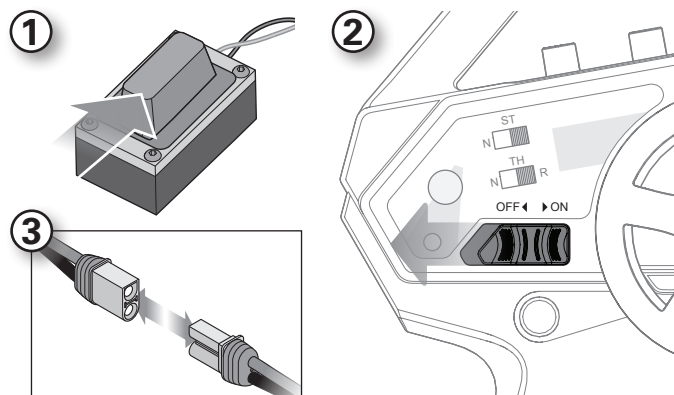
1. Spegnerne l'ESC.
2. Spegnerne il trasmettitore.
3. Scollegare la batteria e toglierla dallo scafo.

CONSIGLIO: togliere sempre la capottina prima di riporre lo scafo, altrimenti l'umidità consentirebbe la formazione di muffa e funghi al suo interno.

4. Scaricare l'acqua dall'interno della carena togliendo il tappo di scarico.
5. Asciugare completamente l'interno e l'esterno dello scafo, compreso il sistema di raffreddamento e blocco di raffreddamento del motore. Asciugare attentamente tutti i connettori di batteria, motore e ricevente togliendo e installandoli di nuovo uno alla volta.
6. Togliere la capottina prima di riporre lo scafo.
7. Riparare eventuali danni o segni di usura sull'imbarcazione.
8. Lubrificare l'albero flessibile usando del grasso marino tipo ProBoat (DYNE4200, DYNE4201).
9. Prendersi nota di quanto appreso dalle regolazioni dell'imbarcazione, incluse le condizioni dell'acqua e del vento.
10. Riposizionare il coperchio del timone per proteggere le parti affilate del timone.

AVVISO: quando si termina di navigare, non lasciare lo scafo al sole. Non riporre lo scafo in un ambiente caldo e ristretto come l'interno di un'auto, in caso contrario potrebbe subire dei danni.

AVVISO: Usando un elica più grande o con un passo maggiore di quella inclusa nella confezione si danneggeranno l'elettronica e i pacchi batteria.

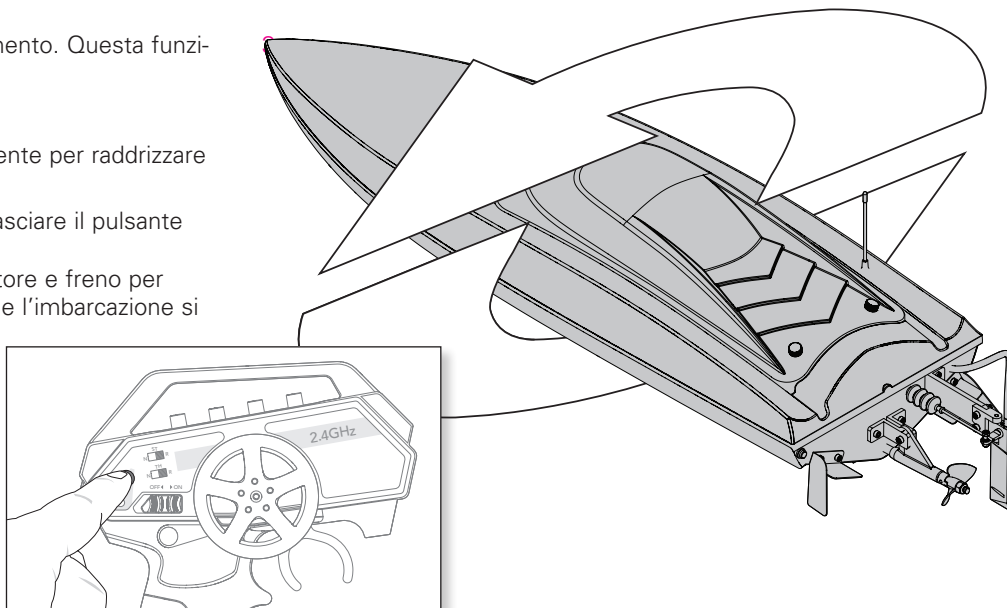


Auto raddrizzamento

Il Recoil 2 è dotato di funzione di auto-raddrizzamento. Questa funzione è più efficace a metà potenza o oltre.

Per attivare la funzione di auto-raddrizzamento:

1. Tenere premuto il pulsante Ch3 sulla trasmettente per raddrizzare l'imbarcazione.
2. Una volta che l'imbarcazione è in verticale, rilasciare il pulsante Ch3 per riprendere il normale funzionamento.
Se si è sotto la metà della potenza, usare motore e freno per raddrizzare la barca. Alternare motore e freno e l'imbarcazione si raddrizzerà da sé.



Consigli per la navigazione

Per un primo utilizzo, conviene provare lo scafo in condizioni di acque calme e vento calmo per assicurarsi che lo scafo sia impostato bene. La velocità massima di 35 MPH/+ potrà essere raggiunta una volta che avete impostato lo scafo per le condizioni specifiche. La velocità massima sarà determinata anche dalla capacità della batteria di fornire con efficienza energia al motore tramite l'ESC.

Prima di scegliere il luogo in cui far navigare il modello, è opportuno informarsi sulle leggi e le ordinanze locali.

1. Appoggiare lo scafo in acqua con attenzione.
2. Azionare lo scafo a basse velocità vicino alla riva. Evitare sempre eventuali oggetti presenti nell'acqua. Quando lo scafo procede in avanti, accertarsi che ci sia l'uscita di acqua dallo scarico del raffreddamento posto sullo scafo.
3. Dopo aver acquisito padronanza nell'azionamento dello scafo a basse velocità, potete azionare lo scafo con velocità più elevate lontano dalla riva.
4. Riportare lo scafo alla riva, quando il motore inizia a pulsare.

AVVISO: non utilizzare lo scafo in acqua troppo bassa, inferiore a 30,5cm.

ATTENZIONE: non tentare di recuperare a nuoto uno scafo rovesciato. Per recuperare lo scafo dall'acqua, si può usare una attrezzatura da pesca o un altro scafo.

AVVISO: durante la navigazione alla massima velocità in acque increspate, l'elica potrebbe fuoriuscire e rientrare in acqua ripetutamente e molto rapidamente, sottoponendo l'elica stessa e l'albero di trasmissione a sollecitazioni. Sollecitazioni frequenti potrebbero danneggiare l'elica e l'albero di trasmissione.

In condizioni di acque mosse e vento bisogna ricordare di:

- montare le batterie più in avanti per maggiore stabilità
- regolare i montanti più in basso per evitare il capovolgimento dello scafo

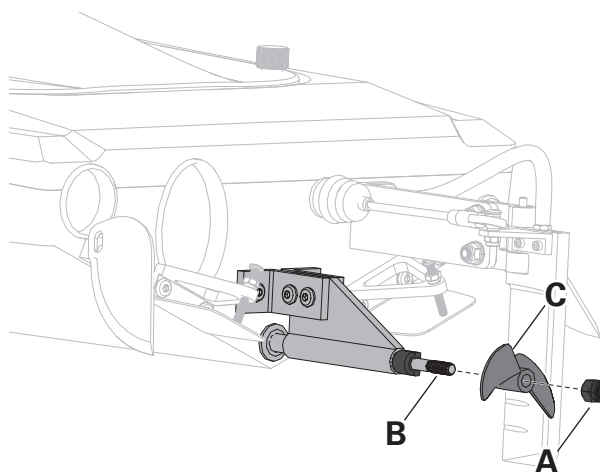
Evitare di navigare vicino a:

- natanti
- persone (aree dedicate ai bagnanti o ai pescatori)
- oggetti fermi
- onde o scie
- acqua con forte corrente
- animali selvatici
- detriti galleggianti
- alberi sporgenti
- vegetazione

Manutenzione

Manutenzione dell'elica

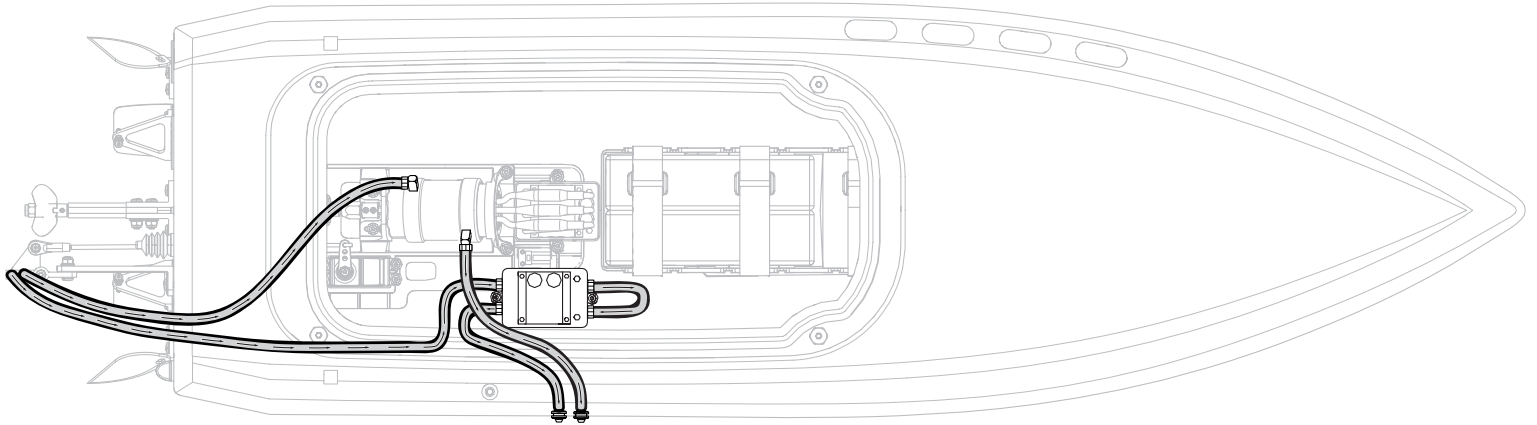
1. Usare una chiave da 5,5mm per allentare il dado (**A**) sull'albero di trasmissione (**B**).
2. Togliere dado ed elica (**C**) dall'albero di trasmissione.
3. Controllare l'elica per eventuali danni o usura. Sostituirla se necessario.
4. Rimontare seguendo l'ordine inverso. Allineare correttamente sull'albero l'elica e il suo trascinatore (drive dog).



Sistema di raffreddamento ad acqua

Se l'acqua non fuoriesce dallo scarico sul lato destro mentre l'imbarcazione procede in avanti, fermarla immediatamente e liberare l'impianto di raffreddamento dall'ostruzione.

1. Smontare e pulire il sistema di raffreddamento per evitare le ostruzioni ed il surriscaldamento.
2. Sostituire le parti danneggiate.



IMPORTANTE: assicurarsi che le porte di uscita dell'acqua di raffreddamento siano saldamente attaccate all'esterno dello scafo. Se non lo sono, è possibile che si verifichi l'ingresso di acqua in eccesso nello scafo.



ATTENZIONE: l'uso di una batteria con meno di 11,1 V non fornisce abbastanza spinta per attivare il sistema di raffreddamento ad acqua e provocherà danni all'elettronica dovuti al calore eccessivo.

Manutenzione dell'albero flessibile

Lubrificare l'albero flessibile è vitale per assicurare la durata della trasmissione. Questo processo rimuove l'acqua dal sistema, prevenendo così la corrosione che aumenta l'attrito e riduce prestazioni e durata del prodotto. Il lubrificante agisce anche da guarnizione contro l'acqua, impedendone di penetrare nello scafo attraverso il tubo di ingrassaggio.

Eeguire la manutenzione dell'albero flessibile dopo ogni sessione di navigazione.

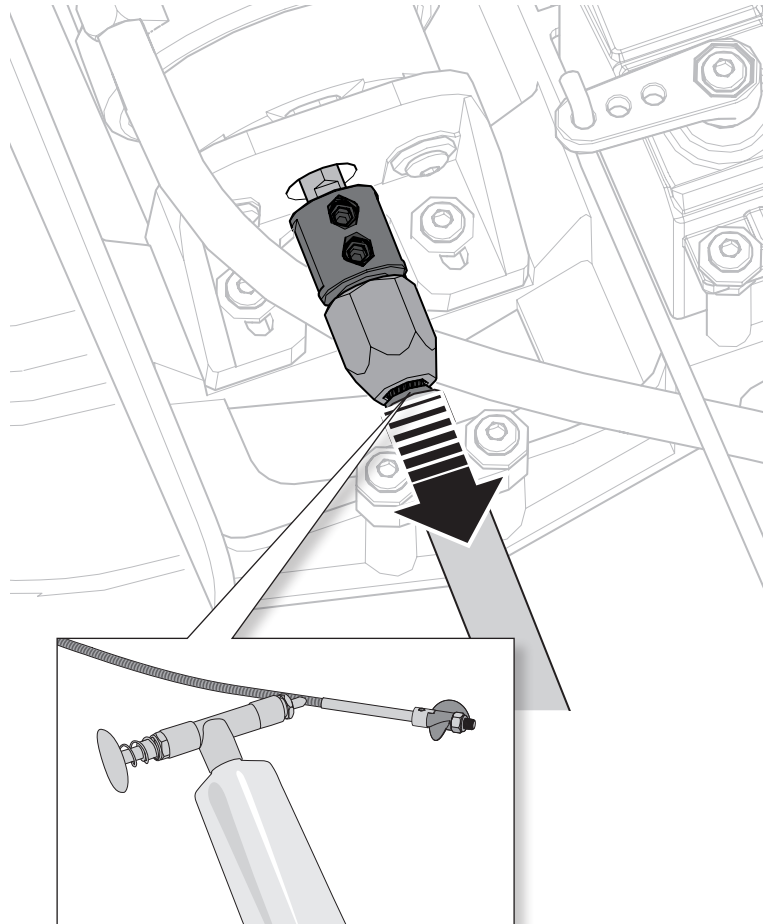
1. Spegnere l'imbarcazione e scollegare la batteria.
2. Usando due chiavi da 10 mm, allentare l'accoppiatore dell'albero flessibile.
3. Far scorrere l'albero flessibile verso la parte posteriore dell'imbarcazione.
4. Con un asciugamano o un tovagliolo di carta, rimuovere materiale e vecchio lubrificante.
5. Applicare e distribuire copiosamente il lubrificante lungo l'intero albero flessibile. Assicurarsi che ci sia abbastanza lubrificante da ricoprire interamente l'albero.

AVVISO: nel lubrificare l'albero flessibile, lasciarne i primi 20 mm non lubrificati. L'ingresso di grasso nell'accoppiamento del motore può causare lo slittamento dell'albero all'interno dell'accoppiamento, con conseguenti danni e necessità di sostituzione.

6. Inserire l'albero flessibile dentro il piede dell'elica e il tubo ingrassatore. Ruotarlo per distribuire il grasso all'interno del tubo ingrassatore, assicurando che ci siano 1-2 mm tra il supporto dell'elica e il trascinatore. In questo modo si assicurerà spazio all'albero quando questo si restringe sotto carico. Senza spazio, il trascinatore potrebbe danneggiare il montante in alluminio dell'elica.

AVVISO: assicurarsi che l'albero flessibile sia installato correttamente. Installare l'albero flessibile in modo scorretto può causare danni irreparabili all'imbarcazione.

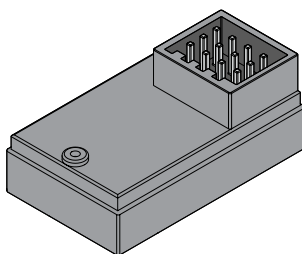
7. Stringere l'accoppiatore usando due chiavi da 10 mm.



Informazioni generali

Connessione

La connessione (binding) è la procedura che serve a programmare il ricevitore per fargli riconoscere il codice unico (GUID) del trasmettitore. **La connessione della trasmettente alla ricevente è stata effettuata in fabbrica.** Se fosse necessario rifare la connessione, procedere come segue:



1. Tenere premuto il pulsante AUX 3 sul trasmettitore.
2. Accendere il trasmettitore.
3. Accendere il ricevitore. Il ricevitore lampeggerà per indicare la connessione automatica.
4. Riavviare il trasmettitore spegnendolo e riaccendendolo. Il LED rimane fisso, indicando che la connessione è stata completata.

Bisogna rifare la connessione (rebind) quando:

- Si vogliono cambiare le posizioni di failsafe, per esempio quando si applica il Reverse a sterzo o motore.
- Si vuole connettere il ricevitore ad un altro trasmettitore.

AVVISO: non cercare di connettere il trasmettitore e il ricevitore se ci sono altri trasmettitori compatibili in questa modalità entro un raggio di 120m. Facendo ciò si potrebbe avere una connessione imprevista.

Failsafe

Nell'improbabile evento che il collegamento radio venga perso durante l'uso, il ricevitore porta i servi nelle rispettive posizioni failsafe pre-programmate, corrispondenti, in genere, al livello minimo del motore e allo sterzo diritto. Se il ricevitore viene acceso prima del trasmet-

titore, il ricevitore entra in modalità failsafe e porta i servi nelle rispettive posizioni failsafe preimpostate. Quando si accende il trasmettitore, viene ripristinato il controllo normale. Le posizioni failsafe dei servi vengono impostate durante il collegamento.

Pezzi di ricambio

Numero parte	Descrizione
HRZ00016	Ricevitore Horizon Pro Boat
HRZ00020	Trasmettente Horizon Multi Model LT V2
PRB18039	Servo 5,3 kg 4,826 V impermeabile analogico
PRB281101	Scafo e tettuccio, Heatwave: Recoil 2
PRB281102	Pinne di virata e correttori di assetto: Recoil 2
PRB281103	Gruppo timone: Recoil 2
PRB281129	Scafo e tettuccio, Shreddy: Recoil 2
PRB282082	Albero flessibile: Recoil 2
PRB282084	Tubo ingrassatore: Recoil 2
PRB282085	Elica, alluminio: Recoil 2
PRB286075	Viti testa zigrinata tettuccio (4):Recoil 2
PRB286076	Linee raffreddamento acqua:Recoil 2
PRB286077	Set asta comando timone: Recoil 2
PRB286078	Set guarnizioni scafo: Recoil 2
PRB286079	Cinghie di montaggio in composito:Recoil 2
PRB286080	Supporto motore: Recoil 2
PRB286081	Accoppiamento motore: Recoil 2
PRB286082	Set supporto elica: Recoil 2
SPMXME1A	100A Brushless Marine ESC 3S-4S
SPMXMM1200	Motore marino Firma 2300 Kv Brushless Outrunner
SPMX32003S30	Batteria 3200 mAh 3S 30C Smart LiPo: IC3

Pezzi opzionali

Numero parte	Descrizione
DYN4403	Tachimetro GPS 2.0
DYNE4200	Ingrassatrice con grasso marino 147 ml (5 oz)
DYNM0102	Nastro adesivo marino trasparente (18 m)
DYNT0502	Kit attrezzi per avvio: Pro Boat
PRB282008	Elica, composito, 1,6 x 1,6 per albero 3/16
SPM2340	DX3 Smart trasmettente 3 canali con ricevitore SR315
SPMR5115	DX5C Smart 5 canali DSMR solo trasmettente
SPMS605	S605, servo di superficie imp analogico 9 kg, 23T
SPMS612HV	S612HV servo digitale HV 12 kg imp ingr metallo
SPMS614	S614 servo di superficie, ingr metallo, imp, 23T
SPMS614S	S614S servo ingr acciaio imp, 15 kg, 23T
SPMSLT300	Radiocomando SLT-3 a 3 canali con SR315 doppio protocollo
SPMSR315	SR315 DSMR Sport, ricevitore, 3 canali
SPMX32003S30	Batteria 11,1 V 3200 mAh 3S 30C Smart LiPo: IC3
SPMX32004S30	Batteria 14,8 V 3200 mAh 4S 30C Smart LiPo: IC3
SPMX324S100	Batteria 14,8 V 3200 mAh 4S 100C Smart G2 LiPo: IC3
SPMX324S50	Batteria 14,8 V 3200 mAh 4S 50C Smart G2 LiPo: IC3
SPMX40003S30	Batteria 11,1 V 4000 mAh 3S 30C Smart LiPo: IC3
SPMXBC100	Tester per batterie LiPo Smart e servocomandi XBC100
SPMXC1070	Caricabatterie S150 CA/CC Smart, 1x50 W
SPMXC2040	Caricabatterie Smart S1400 G2 CA 1x400 W



Guida alla risoluzione dei problemi

Problema	Possibile causa	Soluzione
La barca non risponde al motore, ma risponde agli altri comandi	Il canale del motore è invertito	Invertire il canale del motore sul trasmettitore
Rumore o vibrazioni fuori dal comune	Elica, albero o motore danneggiati	Sostituire le parti danneggiate
	L'elica è sbilanciata	Bilanciare o sostituire l'elica
Tempo di funzionamento ridotto o barca sottopotenziata	La batteria della barca è quasi scarica	Ricaricare la batteria
	La batteria della barca è danneggiata	Sostituire la batteria della barca seguendo le istruzioni
	Qualche impedimento o attrito sull'albero o sull'elica	Smontare, lubrificare e riallineare le parti
	La temperatura ambientale è troppo bassa	Verificare che la batteria sia calda prima dell'uso (tenere in tasca)
	La capacità della batteria potrebbe essere troppo bassa	Prima dell'uso accertarsi che la batteria sia tiepida (almeno 10° C)
	Il trascinatore è troppo vicino al piede dell'elica	Allentare l'accoppiamento del motore con l'albero flessibile per poterlo muovere leggermente
	Albero flessibile poco lubrificato	Lubrificare completamente l'albero flessibile
La barca non si connette (bind) al trasmettitore (durante il "binding")	Vegetazione o altri ostacoli bloccano il timone o l'elica	Togliere dal timone o dall'elica la vegetazioni o gli altri impedimenti
	Il trasmettitore è troppo vicino alla barca	Portare lo scafo e la trasmittente in un altro luogo e rifare la procedura di connessione
	La barca o il trasmettitore sono troppo vicini ad oggetti metallici o ad altre fonti di disturbo	Portare lo scafo e la trasmittente in un altro luogo e rifare la procedura di connessione
	Il "bind plug" non è installato correttamente	Installare il "bind plug" e rifare la procedura di connessione
	Le batterie della barca o del trasmettitore sono quasi scariche	Sostituire/ricaricare le batterie
La barca non si connette (bind) al trasmettitore (dopo il "binding")	L'interruttore dell'ESC è su OFF	Mettere l'interruttore dell'ESC su ON
	Il trasmettitore è troppo vicino alla barca	Portare lo scafo e la trasmittente in un altro luogo e rifare la procedura di connessione
	La barca o il trasmettitore sono troppo vicini ad oggetti metallici o ad altre fonti di disturbo	Allontanare il trasmettitore dalla barca e rifare la procedura di connessione
	Le batterie della barca o del trasmettitore sono quasi scariche	Sostituire/ricaricare le batterie
La barca tende a tuffarsi in acqua o imbarca acqua	L'interruttore dell'ESC è su OFF	Mettere l'interruttore dell'ESC su ON
	La copertura dello scafo non è completamente chiusa	Asciugare l'interno della barca e accertarsi che la copertura sia completamente chiusa prima di rimettere la barca in acqua
	Il centro di gravità è troppo in avanti	Spostare la batteria indietro
La barca tende ad andare in una direzione	Il timone o il suo trim non sono centrati	Sistemare il timone o centrare il suo trim in modo che la barca vada dritta quando il comando è al centro
Il timone non si muove	Comandi, timone o servo danneggiati	Sostituire o riparare le parti danneggiate
	I fili sono danneggiati o i collegamenti sono allentati	Controllare i fili e le connessioni, collegare o sostituire se necessario
	Il trasmettitore non è connesso correttamente o è stato scelto il modello sbagliato	Controllare la connessione o scegliere il modello corretto
	Il BEC del regolatore è danneggiato	Sostituire il regolatore (ESC)
Comandi invertiti	L'interruttore dell'ESC è su OFF	Mettere l'interruttore dell'ESC su ON
	Le impostazioni sul trasmettitore sono invertite	Fare una verifica dei comandi e sistemarli nel modo corretto
Il motore o il regolatore surriscaldano	Tubi del raffreddamento ad acqua bloccati	Pulire o sostituire i tubi
La potenza del motore pulsa e quindi si perde potenza	La temperatura ambientale è troppo fredda	Rimandare finché il clima non si riscalda
	La batteria è vecchia usurata o danneggiata	Sostituire la batteria

Periodo di Garanzia

Periodo di garanzia — Garanzia esclusiva - Horizon Hobby, LLC (Horizon) garantisce che il prodotto acquistato (il "Prodotto") sarà privo di difetti relativi ai materiali e di eventuali errori di montaggio alla data di acquisto. Il periodo di garanzia è conforme alle disposizioni legali del paese nel quale il prodotto è stato acquistato. Tale periodo di garanzia ammonta a 6 mesi e si estende ad altri 18 mesi dopo tale termine.

Limiti della garanzia — (a) La garanzia è limitata all'acquirente originale (Acquirente) e non è cedibile a terzi. L'acquirente ha il diritto a far riparare o a far sostituire la merce durante il periodo di questa garanzia. La garanzia copre solo quei prodotti acquistati presso un rivenditore autorizzato Horizon. Altre transazioni di terze parti non sono coperte da questa garanzia. La prova di acquisto è necessaria per far valere il diritto di garanzia. Inoltre, Horizon si riserva il diritto di cambiare o modificare i termini di questa garanzia senza alcun preavviso e di escludere tutte le altre garanzie già esistenti.

(b) Horizon non si assume alcuna garanzia per la disponibilità del prodotto, per l'adeguatezza o l'idoneità del prodotto a particolari previsti dall'utente. È sola responsabilità dell'acquirente il fatto di verificare se il prodotto è adatto agli scopi da lui previsti.

(c) Richiesta dell'acquirente – spetta soltanto a Horizon, a propria discrezione riparare o sostituire qualsiasi prodotto considerato difettoso e che rientra nei termini di garanzia. Queste sono le uniche rivalse a cui l'acquirente si può appellare, se un prodotto è difettoso.

Horizon si riserva il diritto di controllare qualsiasi componente utilizzato che viene coinvolto nella rivalsa di garanzia. Le decisioni relative alla sostituzione o alla riparazione sono a discrezione di Horizon. Questa garanzia non copre dei danni superficiali o danni per cause di forza maggiore, uso errato del prodotto, un utilizzo che viola qualsiasi legge, regolamentazione o disposizione applicabile, negligenza, uso ai fini commerciali, o una qualsiasi modifica a qualsiasi parte del prodotto.

Questa garanzia non copre danni dovuti ad un'installazione errata, ad un funzionamento errato, ad una manutenzione o un tentativo di riparazione non idonei a cura di soggetti diversi da Horizon. La restituzione del prodotto a cura dell'acquirente, o da un suo rappresentante, deve essere approvata per iscritto dalla Horizon.

Limiti di danno — Horizon non si riterrà responsabile per danni speciali, diretti, indiretti o consequenziali; perdita di profitto o di produzione; perdita commerciale connessa al prodotto, indipendentemente dal fatto che la richiesta si basa su un contratto o sulla garanzia. Inoltre la responsabilità di Horizon non supera mai in nessun caso il prezzo di acquisto del prodotto per il quale si chiede la responsabilità. Horizon non ha alcun controllo sul montaggio, sull'utilizzo o sulla manutenzione del prodotto o di combinazioni di vari prodotti. Quindi Horizon non accetta nessuna responsabilità per danni o lesioni derivanti da tali circostanze. Con l'utilizzo e il montaggio del prodotto l'utente acconsente a tutte le condizioni, limitazioni e riserve di garanzia citate in questa sede.

Qualora l'utente non fosse pronto ad assumersi tale responsabilità associata all'uso del prodotto, si suggerisce di restituire il prodotto intatto, mai usato e immediatamente presso il venditore.

Indicazioni di sicurezza — Questo è un prodotto sofisticato di hobbistica e non è un giocattolo. Esso deve essere manipolato con cautela, con giudizio e richiede delle conoscenze basilari di meccanica e delle facoltà mentali di base. Se il prodotto non verrà manipolato in maniera sicura e responsabile potrebbero risultare delle lesioni, dei gravi danni a persone, al prodotto o all'ambiente circostante. Questo prodotto non è concepito per essere usato dai bambini senza una diretta supervisione di un adulto. Il manuale del prodotto contiene le istruzioni di sicurezza, di funzionamento e di manutenzione del prodotto stesso. È fondamentale leggere e seguire tutte le istruzioni e le avvertenze nel manuale prima di mettere in funzione il prodotto. Solo così si eviterà un utilizzo errato e si preverranno incidenti, lesioni o danni.

Domande, assistenza e riparazioni — Il vostro negozio locale e/o luogo di acquisto non possono fornire garanzie di assistenza o riparazioni senza previo colloquio con Horizon. Questo vale anche per le riparazioni in garanzia. Quindi in tale caso bisogna interpellare un rivenditore, che si metterà in contatto subito con Horizon per prendere una decisione che vi possa aiutare nel più breve tempo possibile.

Manutenzione e riparazione — Se il prodotto deve essere ispezionato o riparato, si prega di rivolgersi ad un rivenditore specializzato o direttamente ad Horizon. Il prodotto deve essere imballato con cura. Bisogna far notare che i box originali solitamente non sono adatti per effettuare una spedizione senza subire alcun danno. Bisogna effettuare una spedizione via corriere che fornisce una tracciabilità e un'assicurazione, in quanto Horizon non si assume alcuna responsabilità in relazione alla spedizione del prodotto. Inserire il prodotto in una busta assieme ad una descrizione dettagliata degli errori e ad una lista di tutti i singoli componenti spediti. Inoltre abbiamo bisogno di un indirizzo completo, di un numero di telefono per chiedere ulteriori domande e di un indirizzo e-mail.

Garanzia e riparazione — Le richieste in garanzia verranno elaborate solo se è presente una prova d'acquisto in originale proveniente da un rivenditore specializzato autorizzato, nella quale è ben visibile la data di acquisto. Se la garanzia viene confermata, allora il prodotto verrà riparato o sostituito. Questa decisione spetta esclusivamente a Horizon Hobby.

Riparazioni a pagamento — Se bisogna effettuare una riparazione a pagamento, effettueremo un preventivo che verrà inoltrato al vostro rivenditore. La riparazione verrà effettuata dopo l'autorizzazione da parte del vostro rivenditore. La somma per la riparazione dovrà essere pagata al vostro rivenditore. Le riparazioni a pagamento avranno un costo minimo di 30 minuti di lavoro e in fattura includeranno le spese di restituzione. Qualsiasi riparazione non pagata e non richiesta entro 90 giorni verrà considerata abbandonata e verrà gestita di conseguenza.

ATTENZIONE: Le riparazioni a pagamento sono disponibili solo sull'elettronica e sui motori. Le riparazioni a livello meccanico, soprattutto per gli elicotteri e le vetture RC, sono molto costose e devono essere effettuate autonomamente dall'acquirente.

10/15

Garanzia e Assistenza Informazioni per i Contatti

Paese di acquisto	Horizon Hobby	Indirizzo E-mail / Telefono	Indirizzo
EU	Horizon Technischer Service Sales: Horizon Hobby GmbH	service@horizonhobby.de +49 (0) 4121 2655 100	Hanskampring 9 D 22885 Barsbüttel, Germany



Informazioni Sulla Conformità Per L'Unione Europea

CE Dichiarazione di conformità UE: **Pro Boat Recoil 2 26 Self Righting Deep V Brushless, RTR (PRB08041)**

Con la presente, Horizon Hobby, LLC dichiara che il dispositivo è conforme a quanto segue: Direttiva europea bassa tensione (LVD) 2014/35/UE; Direttiva europea sulla compatibilità elettromagnetica (EMC) 2014/30/UE; Direttiva europea sulle apparecchiature radio (RED) 2014/53/UE; Direttiva RoHS 2 2011/65 / UE; Direttiva RoHS 3 - Modifica 2011/65 / UE allegato II 2015/863.

Il testo completo della dichiarazione di conformità UE è disponibile al seguente indirizzo internet: <https://www.horizonhobby.com/content/support-render-compliance>.

NOTA: questo prodotto contiene batterie coperte dalla direttiva europea 2006/66 / CE, che non possono essere smaltite con i rifiuti domestici. Attenersi alle normative locali.

Gamma di frequenza wireless e Potenza di uscita wireless:

Trasmettitore:
 2408–2475MHz
 19.62 dBm

Produttore ufficiale dell'UE:

Horizon Hobby, LLC
 2904 Research Road
 Champaign, IL 61822 USA

Importatore ufficiale dell'UE:

Horizon Hobby, GmbH
 Hanskampring 9
 22885 Barsbüttel Germany

AVVISO RAEE:



Questo dispositivo è marcato ai sensi della Direttiva europea 2012/19/UE riguardante i rifiuti di apparecchiature elettriche ed elettroniche (RAEE). Il simbolo indica che il prodotto non va smaltito insieme ai rifiuti domestici. Il prodotto deve essere consegnato agli appositi centri di raccolta per consentire il recupero e il riciclaggio.

229688.1 | Updated: 04/2022

©2022 Horizon Hobby, LLC.

Pro Boat, the Pro Boat logo, Sonicwake, Spektrum, EC5, IC5, DSMR, Firma, and the Horizon Hobby logo are trademarks or registered trademarks of Horizon Hobby, LLC. The Spektrum trademark is used with permission of Bachmann Industries, Inc. All other trademarks, service marks and logos are property of their respective owners.

US 9,930,567. US 10,419,970. US 10,849,013.

Other patents pending.

PRB08041